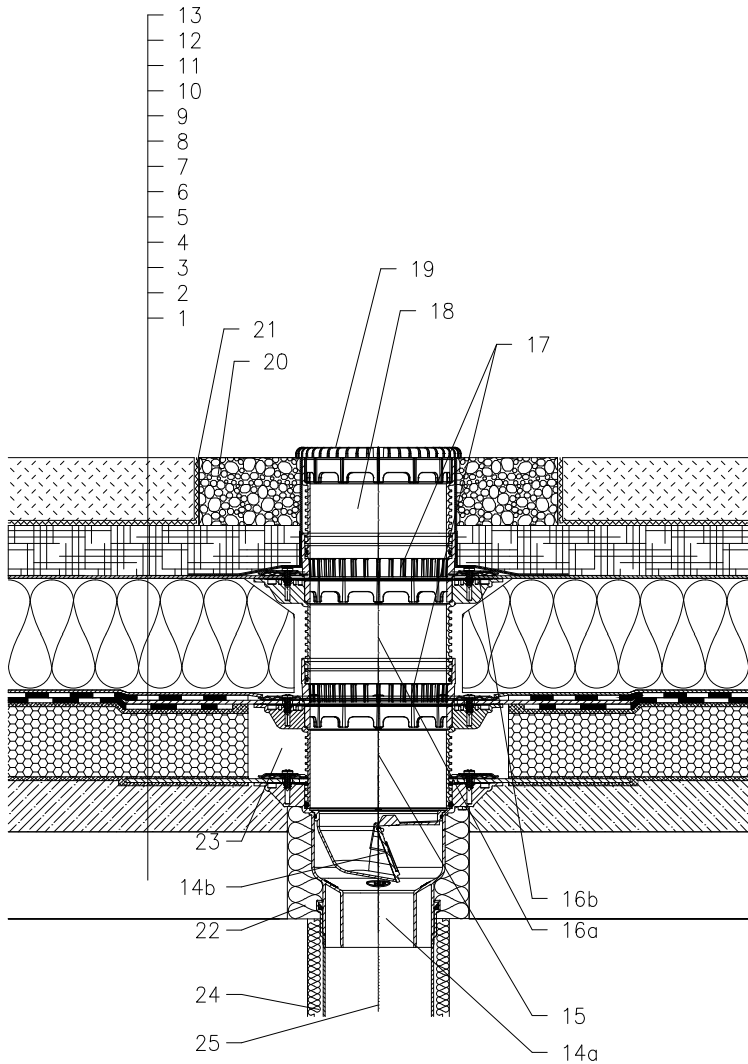


ROOF WITH THERMAL INSULATION – EXTENSIVE GRASSING, COMBINED ORDER OF LAYERS, COMPACT ROOF VARIANT
BITUMEN SHEETS



- 1 SUPPORT CONSTRUCTION
- 2 CONCRETE GRAVITY LAYER
- 3 HOT BITUMEN
- 4 THERMAL INSULATION – FOAMED GLASS
- 5 HOT BITUMEN
- 6 BITUMEN SHEET WATERPROOFING
- 7 BITUMEN SHEET WATERPROOFING
- 8 DRAINAGE LAYER
- 9 XPS THERMAL INSULATION
- 10 DRAINAGE LAYER
- 11 WATER ACCUMULATING LAYER
- 12 FILTER LAYER
- 13 VEGETATION LAYER (UNDER 200mm)
- 14a ROOF DRAIN HL3100THK
WITH BITUMEN MEMBRANE 500x500 mm
- 14b FROST-PROOF FLAP HL05100.4E
(NOT INCLUDED IN HL3100THK)
- 15 EXTENSION HL8500H WITH BITUMEN MEMBRANE
500x500 mm; INCL. O-RING (HL3400)
- 16a EXTENSION HL8500 WITH FLANGE
INCL. O-RING, (HL3400)
- 16b SEALING KIT HL8300.0
- 17 LEAF STRAINER HL150
- 18 EXTENSION HL3400
- 19 FLAT LEAF STRAINER 151
(INCLUDED IN HL3100THK)
- 20 GRANULAR FILL
- 21 SEPARATING LAYER
- 22 ASSEMBLY FOAM
- 23 FILL FREE SPACE WITH MINERAL WOOL
- 24 DOWNPIPE THERMAL INSULATION
- 25 DOWNPIPE

NOTICE:

TO HEAT THE DRAIN, YOU MAY USE HEATING KIT HKL156 WITH REGULATING HEAT SOURCE 40W/M; 230 V; (APR. 12-14W HEATING TAPE). (THE HEATING TAPE INCL. THERMAL INSULATION MUST BE PULLED ON THE DRAIN BODY BEFORE INSTALLATION)
RECOMMENDED BOREHOLE DIAMETER IS $\varnothing 220\text{mm}$, $220 \times 220\text{mm}$.
DURING INSTALLATION TAKE CARE, THAT THE FLANGE POSITION IS ON THE LOWEST LEVEL OF DRAINAGE. WE RECOMMEND, TO SITE IT APPR. 1cm BELOW THE SCREED.
TO AVOID CONDENSATE WATER TAKE CARE OF THERMAL INSULATION ON THE CONSTRUCTION SITE.

142311BZ