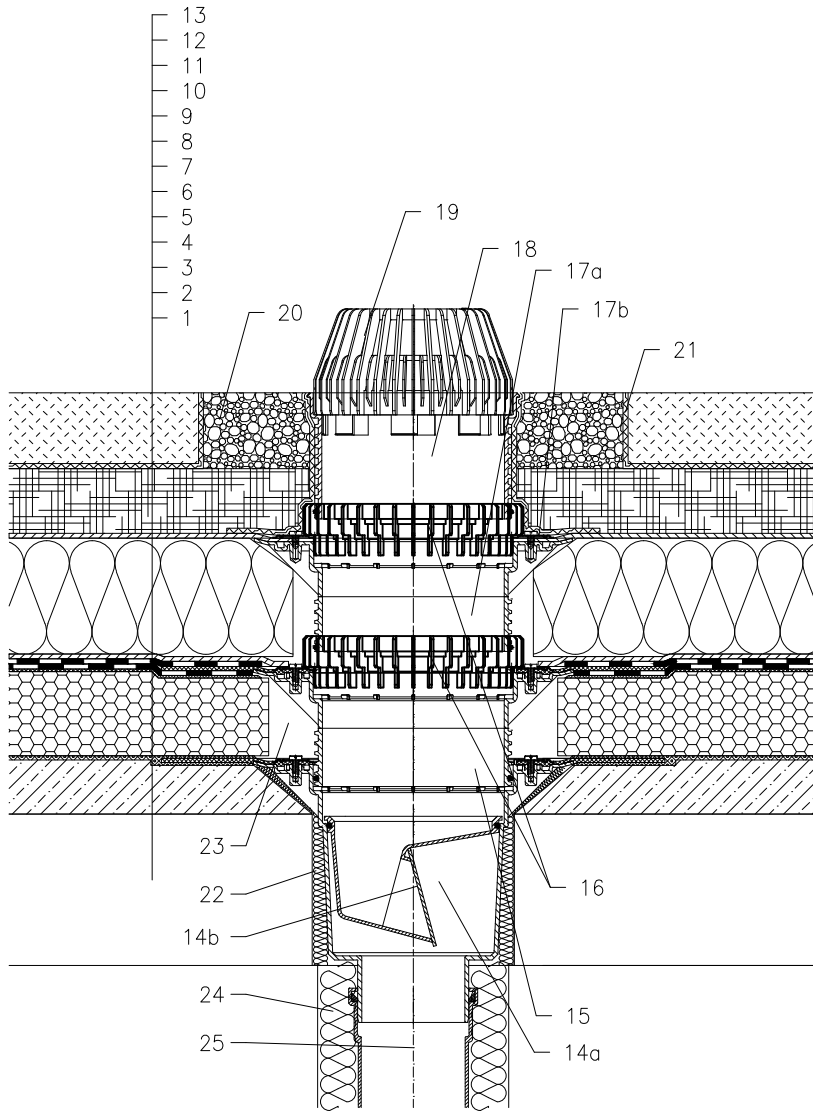


ROOF WITH THERMAL INSULATION – EXTENSIVE GRASSING, COMBINED ORDER OF LAYERS, COMPACT ROOF VARIANT  
BITUMEN SHEETS



- 1 SUPPORT CONSTRUCTION
- 2 CONCRETE GRAVITY LAYER
- 3 HOT BITUMEN
- 4 THERMAL INSULATION – FOAMED GLASS
- 5 HOT BITUMEN
- 6 BITUMEN SHEET WATERPROOFING
- 7 BITUMEN SHEET WATERPROOFING
- 8 DRAINAGE LAYER
- 9 XPS THERMAL INSULATION
- 10 DRAINAGE LAYER
- 11 WATER ACCUMULATING LAYER
- 12 FILTER LAYER
- 13 VEGETATION LAYER (UNDER 200mm)
- 14a DRAIN BODY HL616HK  
WITH BITUMEN MEMBRANE  $\varnothing 500$  mm
- 14b FROST-PROOF FLAP HL0606.3E  
(NOT INCLUDED IN HL616HK)
- 15 EXTENSION HL618H WITH BITUMEN MEMBRANE  
 $\varnothing 500$  mm; INCL. O-RING (HL620)
- 16 DRAINAGE RING HL190
- 17a EXTENSION HL618 WITH FLANGE  
INCL. O-RING (HL620)
- 17b SEALING KIT HL86.0
- 18 EXTENSION HL620
- 19 LEAF STRAINER HL 195
- 20 GRANULAR FILL
- 21 SEPARATING LAYER
- 22 ASSEMBLY FOAM
- 23 FILL FREE SPACE WITH MINERAL WOOL
- 24 DOWNPIPE THERMAL INSULATION
- 25 DOWNPIPE

NOTICE:

TO HEAT THE DRAIN, YOU MAY USE HEATING KIT HL609 WITH SELF-REGULATING HEAT SOURCE 36W/230V. (THE HEATING TAPE MUST BE WRAPPED AROUND THE DRAIN BODY BEFORE INSTALLATION).  
RECOMMENDED BOREHOLE DIAMETER IS  $\varnothing 290$ mm, OR  $\approx 290 \times 290$ mm  
DURING INSTALLATION TAKE CARE, THAT THE FLANGE POSITION IS ON THE LOWEST LEVEL OF DRAINAGE. WE RECOMMEND, TO SITE IT APPR. 1cm BELOW THE SCREED.  
TO AVOID CONDENSATE WATER TAKE CARE OF THERMAL INSULATION ON THE CONSTRUCTION SITE.

142311BY