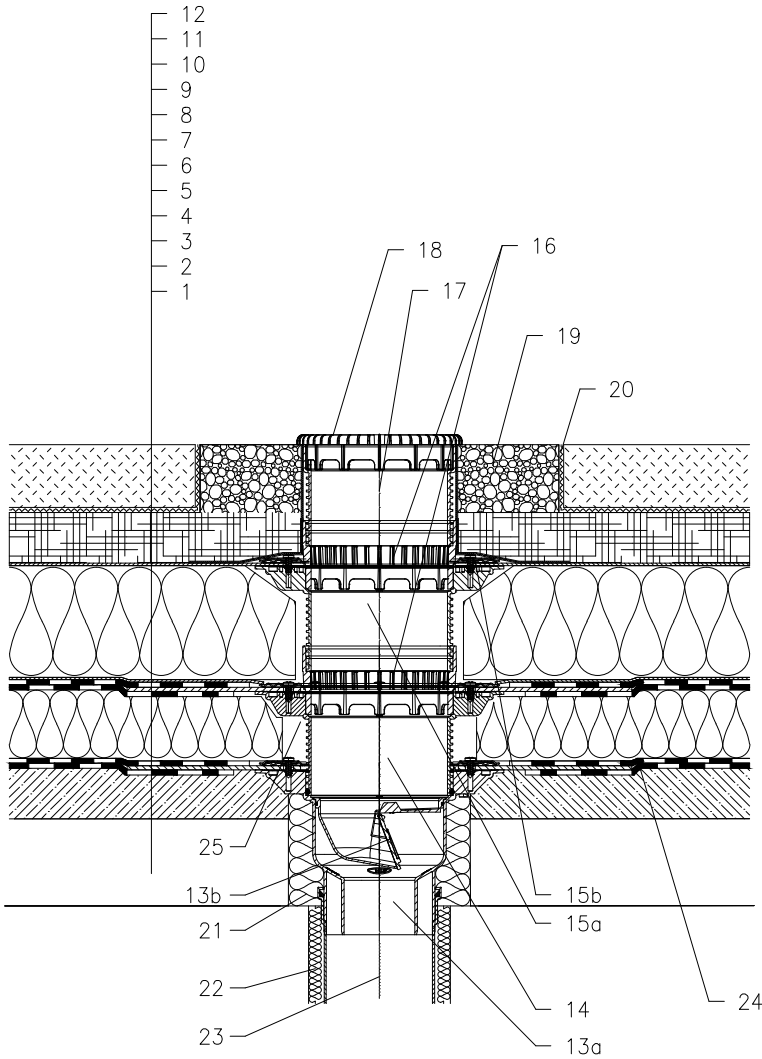


ROOF WITH THERMAL INSULATION – EXTENSIVE GRASSING, COMBINED ORDER OF LAYERS
BITUMEN SHEETS



- 1 SUPPORT CONSTRUCTION
- 2 CONCRETE GRAVITY LAYER
- 3 MOISTURE STOP AND TEMPORARY SAFETY WATERPROOFING FROM BITUMEN SHEET
- 4 THERMAL INSULATION
- 5 BITUMEN SHEET WATERPROOFING NON SOLID GLUED OR LAID LOOSE
- 6 BITUMEN SHEET WATERPROOFING
- 7 DRAINAGE LAYER
- 8 XPS THERMAL INSULATION
- 9 DRAINAGE LAYER
- 10 WATER ACCUMULATING LAYER
- 11 FILTER LAYER
- 12 VEGETATION LAYER (UNDER 200mm)
- 13a ROOF DRAIN HL3100THK WITH BITUMEN MEMBRANE 500x500 mm
- 13b FROST-PROOF FLAP HL05100.4E (NOT INCLUDED IN HL3100THK)
- 14 EXTENSION HL8500H WITH BITUMEN MEMBRANE 500x500 mm; INCL. O-RING (HL3400)
- 15a EXTENSION HL8500 WITH FLANGE INCL. O-RING, (HL3400)
- 15b SEALING KIT HL8300.0
- 16 LEAF STRAINER HL150
- 17 EXTENSION HL3400
- 18 FLAT LEAF STRAINER 151 (INCLUDED IN HL3100THK)
- 19 GRANULAR FILL
- 20 SEPARATING LAYER
- 21 ASSEMBLY FOAM
- 22 DOWNPIPE THERMAL INSULATION
- 23 DOWNPIPE
- 24 BITUMEN MEMBRANE \varnothing 750 mm
- 25 FILL FREE SPACE WITH MINERAL WOOL

NOTICE:

TO HEAT THE DRAIN, YOU MAY USE HEATING KIT HKL156 WITH REGULATING HEAT SOURCE 40W/M; 230 V; (APR. 12-14W HEATING TAPE). (THE HEATING TAPE INCL. THERMAL INSULATION MUST BE PULLED ON THE DRAIN BODY BEFORE INSTALLATION)
RECOMMENDED BOREHOLE DIAMETER IS \varnothing 220mm, 2220x220mm.
DURING INSTALLATION TAKE CARE, THAT THE FLANGE POSITION IS ON THE LOWEST LEVEL OF DRAINAGE. WE RECOMMEND, TO SITE IT APPR. 1cm BELOW THE SCREED.
TO AVOID CONDENSATE WATER TAKE CARE OF THERMAL INSULATION ON THE CONSTRUCTION SITE.

142311AZ