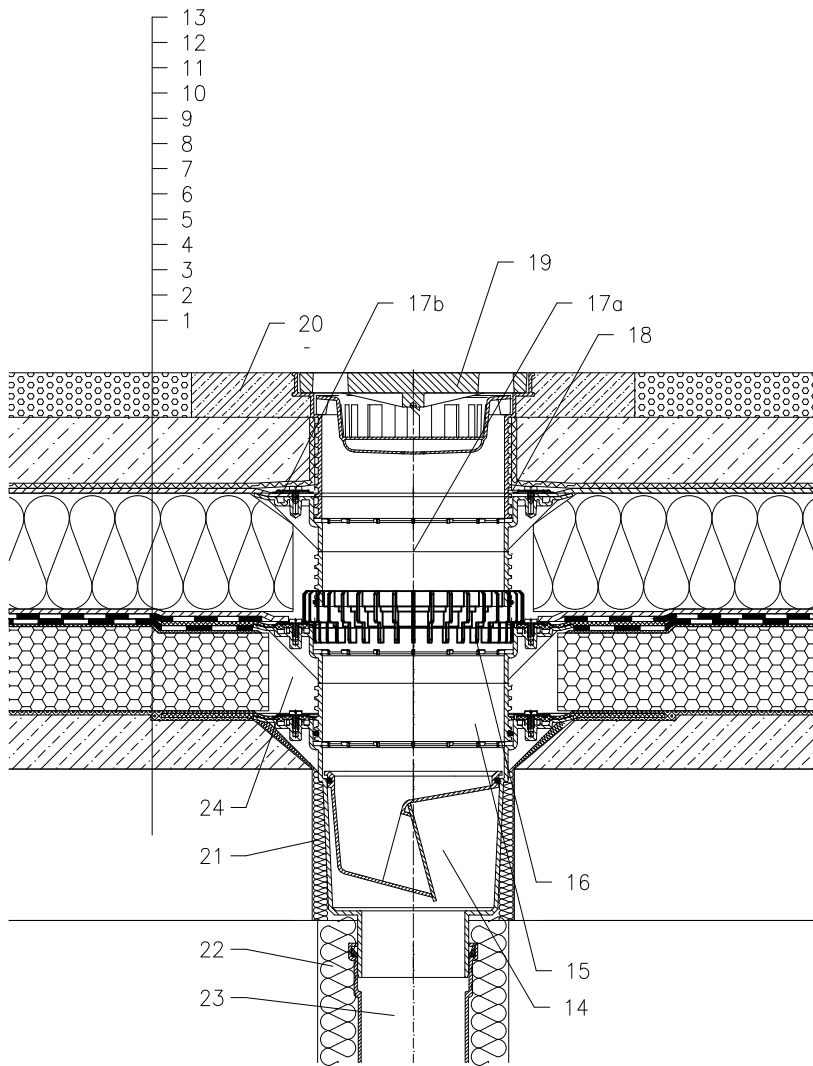


ROOF WITH THERMAL INSULATION – CAR PARK, COMBINED ORDER OF LAYERS, COMPACT ROOF VARIANT
BITUMEN SHEETS



- 1 SUPPORT CONSTRUCTION
- 2 CONCRETE GRAVITY LAYER
- 3 HOT BITUMEN
- 4 THERMAL INSULATION – FOAMED GLASS
- 5 HOT BITUMEN
- 6 BITUMEN SHEET WATERPROOFING
- 7 BITUMEN SHEET WATERPROOFING
- 8 DRAINAGE LAYER
- 9 XPS THERMAL INSULATION
- 10 DRAINAGE LAYER
- 11 FILTER LAYER
- 12 REINFORCED CONCRETE
- 13 CAST ASPHALT
- 14 TERRACE DRAIN HL616H WITH FROST-PROOF FLAP AND BITUMEN MEMBRANE
LOAD CLASSIFICATION L15 (MAX 1500 kg)
alternative DRAIN HL616.1H, LOAD CLASSIFICATION M125 (MAX 12,5 t)
- 15 EXTENSION HL618H WITH BITUMEN MEMBRANE
ø500 mm; INCL. O-RING (HL620)
- 16 DRAINAGE RING HL190
- 17a EXTENSION HL618 WITH FLANGE
INCL. O-RING (HL620)
- 17b SEALING KIT HL86.0
- 18 NO TIGHT CONNECTION BECAUSE OF DISCHARGE OF LEAKAGE WATER
- 19 EXTENSION WITH CAST IRON GRATE 226x226 mm AND PLASTIC FRAME 240x240 mm
(INCLUDED IN HL616H)
- 20 CONCRETE 1000x1000x100 mm
- 21 ASSEMBLY FOAM
- 22 DOWNPIPE THERMAL INSULATION
- 23 DOWNPIPE
- 24 FILL FREE SPACE WITH MINERAL WOOL

NOTICE:

TO HEAT THE DRAIN, YOU MAY USE HEATING KIT HL609 WITH SELF-REGULATING HEAT SOURCE 36W/230V. (THE HEATING TAPE MUST BE WRAPPED AROUND THE DRAIN BODY BEFORE INSTALLATION).
RECOMMENDED BOREHOLE DIAMETER IS ø290mm, OR: 290x290mm
DURING INSTALLATION TAKE CARE, THAT THE FLANGE POSITION IS ON THE LOWEST LEVEL OF DRAINAGE. WE RECOMMEND, TO SITE IT APPR. 1cm BELOW THE SCREED.
TO AVOID CONDENSATE WATER TAKE CARE OF THERMAL INSULATION ON THE CONSTRUCTION SITE.

14221BY