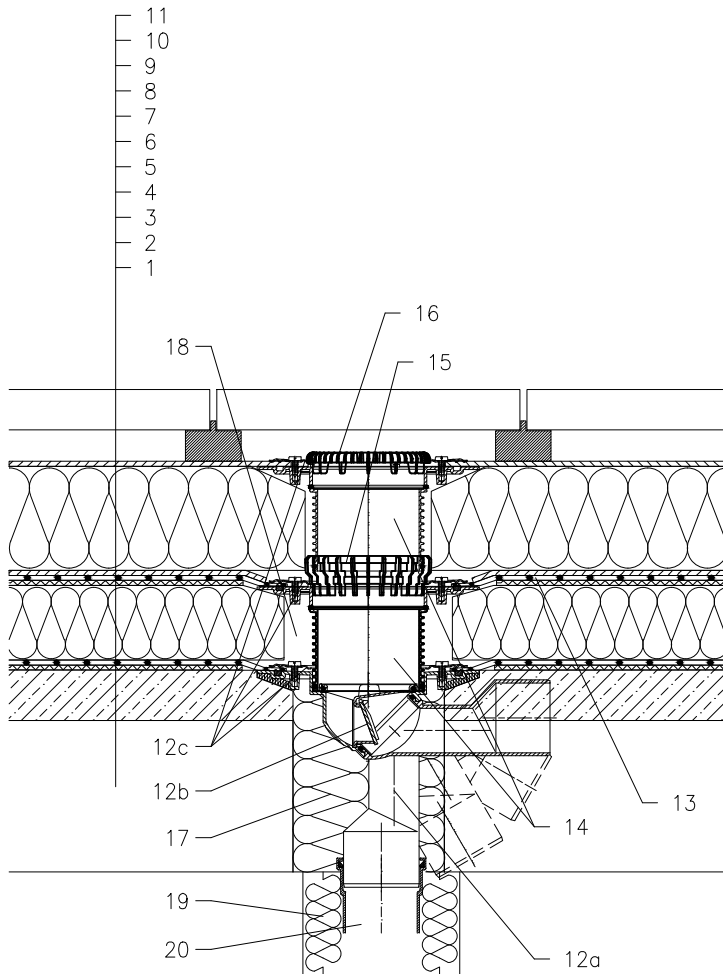


ROOF WITH THERMAL INSULATION – COMBINED ORDER OF LAYERS, PAVERS ON STANDS  
PLASTIC FOIL



- 1 SUPPORT CONSTRUCTION
- 2 CONCRETE GRAVITY LAYER
- 3 SEPARATING AND DILATATION LAYER
- 4 MOISTURE STOP AND TEMPORARY SAFETY WATERPROOFING
- 5 THERMAL INSULATION
- 6 SEPARATING AND DILATATION LAYER
- 7 PLASTIC FOIL WATERPROOFING
- 8 DRAINAGE LAYER
- 9 XPS THERMAL INSULATION
- 10 SEPARATING LAYER
- 11 PAVERS ON STANDS
- 12a DRAIN BODY HL80K WITH FLANGE
- 12b FROST-PROOF FLAP HL080.4E
- 12c SEALING KIT HL83.0 – WITHOUT SHEETING,  
(ALL-PURPOSE FOR UNRUFFED ROOF SHEETINGS)  
(alternative HL83.P – WHEN USING PVC SHEETINGS)
- 13 PRE-CUT PART FOR SEALING COLLAR, SEE TOPIC "ATTACHEMENTS"
- 14 EXTENSION HL85N WITH FLANGE  
INCL. O-RING, (HL340N)
- 15 DRAINAGE RING HL180
- 16 FLAT LEAF STRAINER HL181  
LEAF STRAINER HL180
- 17 ASSEMBLY FOAM
- 18 FILL FREE SPACE WITH MINERAL WOOL
- 19 DOWNPIPE THERMAL INSULATION
- 20 DOWNPIPE

NOTICE:

TO HEAT THE DRAIN, YOU MAY USE HEATING KIT HL82 WITH SELF-REGULATING HEAT SOURCE 18W/220V. (THE HEATING TAPE MUST BE WRAPPED AROUND THE DRAIN BODY BEFORE INSTALLATION).

RECOMMENDED BOREHOLE DIAMETER IS  $\varnothing 185\text{mm}$ ,  $\approx 185 \times 340\text{mm}$ .

DURING INSTALLATION TAKE CARE, THAT THE FLANGE POSITION IS ON THE LOWEST LEVEL OF DRAINAGE. WE RECOMMEND, TO SITE IT APPR. 1cm BELOW THE SCREED.

TO AVOID CONDENSATE WATER TAKE CARE OF THERMAL INSULATION ON THE CONSTRUCTION SITE.