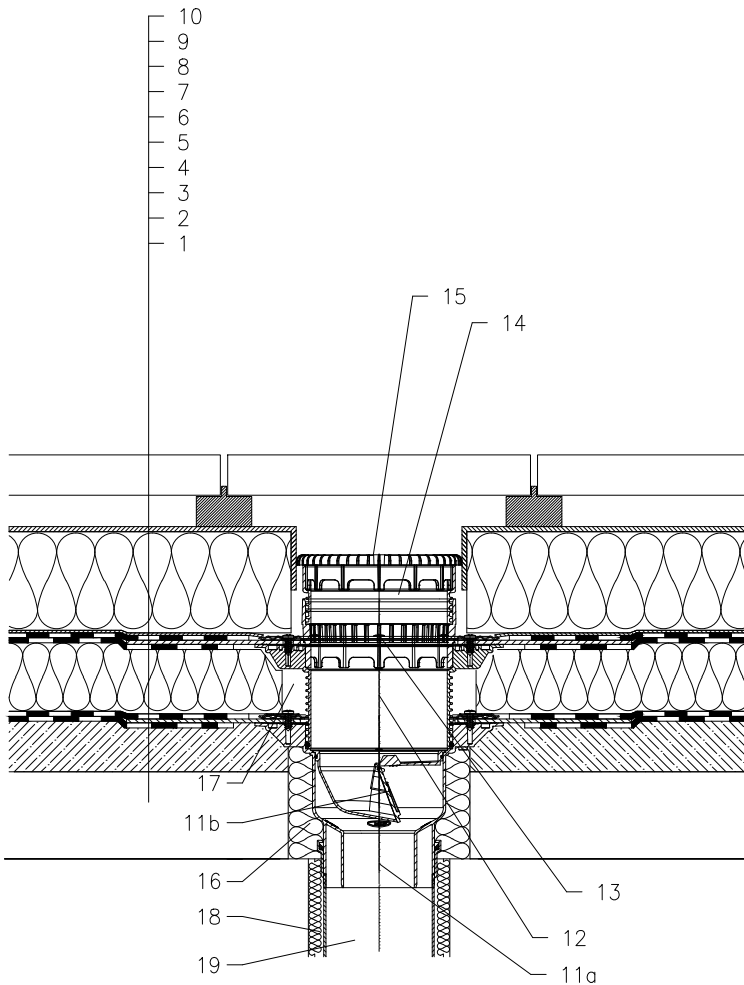


ROOF WITH THERMAL INSULATION – COMBINED ORDER OF LAYERS, PAVERS ON STANDS
BITUMEN SHEETS



- 1 SUPPORT CONSTRUCTION
- 2 CONCRETE GRAVITY LAYER
- 3 MOISTURE STOP AND TEMPORARY SAFETY WATERPROOFING FROM BITUMEN SHEET
- 4 THERMAL INSULATION
- 5 BITUMEN SHEET WATERPROOFING NON SOLID GLUED OR LAID LOOSE
- 6 BITUMEN SHEET WATERPROOFING
- 7 DRAINAGE LAYER
- 8 XPS THERMAL INSULATION
- 9 SEPARATION LAYER
- 10 PAVERS ON STANDS
- 11a DRAIN BODY HL3100THK WITH BITUMEN MEMBRANE 500x500 mm,
- 11b FROST-PROOF FLAP HL05100.4E (NOT INCLUDED IN HL3100THK)
- 12 EXTENSION HL8500H WITH BITUMEN MEMBRANE 500x500 mm; INCL. O-RING, (HL3400)
- 13 DRAINAGE RING HL150
- 14 EXTENSION HL3400
- 15 FLAT LEAF STRAINER 151 (INCLUDED IN HL3100THK)
- 16 ASSEMBLY FOAM
- 17 FILL FREE SPACE WITH MINERAL WOOL
- 18 DOWNPIPE THERMAL INSULATION
- 19 DOWNPIPE
- 20 BITUMEN MEMBRANE \varnothing 750 mm

NOTICE:

TO HEAT THE DRAIN, YOU MAY USE HEATING KIT HKL156 WITH REGULATING HEAT SOURCE 40W/M; 230 V; (APR. 12-14W HEATING TAPE). (THE HEATING TAPE INCL. THERMAL INSULATION MUST BE PULLED ON THE DRAIN BODY BEFORE INSTALLATION)
RECOMMENDED BOREHOLE DIAMETER IS \varnothing 220mm, \varnothing 220x220mm.
DURING INSTALLATION TAKE CARE, THAT THE FLANGE POSITION IS ON THE LOWEST LEVEL OF DRAINAGE. WE RECOMMEND, TO SITE IT APPR. 1cm BELOW THE SCREED.
TO AVOID CONDENSATE WATER TAKE CARE OF THERMAL INSULATION ON THE CONSTRUCTION SITE.

142131BZ