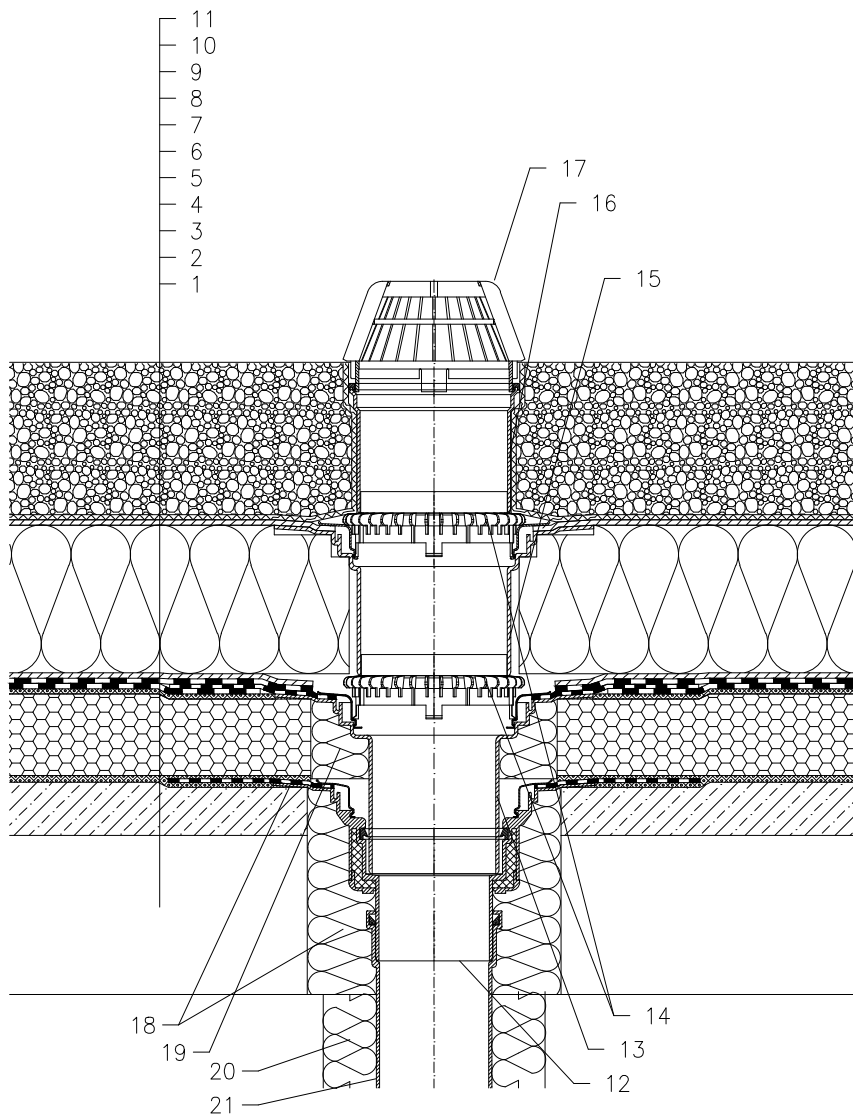


WARM ROOF – LOADED SYSTEM, COMBINED COMPACT STRUCTURE
 CONCRETE SUPPORTING STRUCTURE, BITUMEN SHEET WATERPROOFING



- 1 SUPPORT CONSTRUCTION
- 2 GRAVEL LAYER
- 3 HOT BITUMEN
- 4 THERMAL INSULATION – CELLULAR GLASS
- 5 HOT BITUMEN3
- 6 BITUMEN SHEET WATERPROOFING SOLID GLUED
- 7 DRAINAGE LAYER
- 8 THERMAL INSULATION FROM XPS
- 9 DRAINAGE LAYER
- 10 FILTER LAYER
- 11 STABILIZING LAYER
- 12 FLAT-ROOF DRAIN HL62H WITH INSULATED DRAIN BODY, WITH FACTORY WELDED BITUMEN MEMBRANE ϕ 500 mm, THICKNESS 4 mm
- 13 EXTENSION HL65H WITH FLANGE AND FACTORY WELDED BITUMEN MEMBRANE ϕ 500 mm, THICKNESS 4 mm
- 14 GRAVEL GUARD HL160
- 15 EXTENSION HL350.0 WITH FLANGE AND WATERPROOFING KIT HL84.0
- 16 EXTENSION HL350
- 17 DOMED PLASTIC GRATE ϕ 180 mm (INCL. WITH HL62H)
- 18 ASSEMBLY FOAM
- 19 FILL FREE SPACE WITH MINERAL WOOL
- 20 DOWNPIPE THERMAL INSULATION
- 21 DOWNPIPE

NOTE:
 FLAT-ROOF DRAIN HL62.1H HEATED (230V, 10-30 WATTS) CAN BE USED.
 ASSEMBLY INLET: ϕ 255 MM, ALTERNATIVELY 255X380 MM

14111C