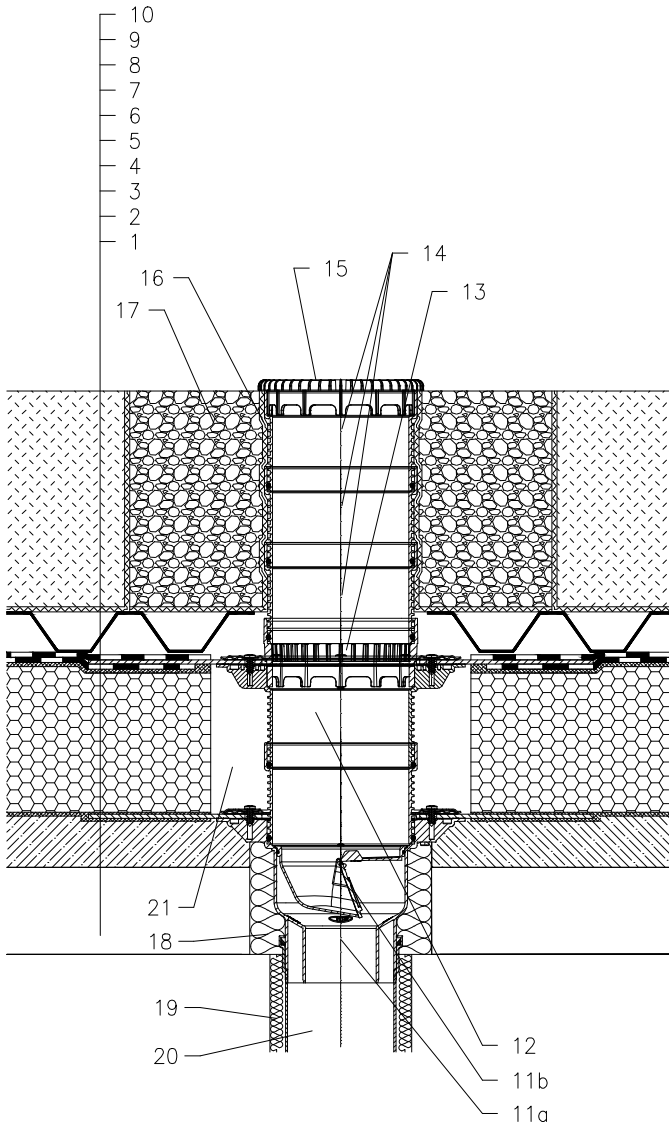


ROOF WITH THERMAL INSULATION – INTENSIVE GRASSING, CLASSICAL LAYERS,
COMPACT ROOF VARIANT, BITUMEN SHEETS



- 1 SUPPORT CONSTRUCTION
- 2 CONCRETE GRAVITY LAYER
- 3 HOT BITUMEN
- 4 THERMAL INSULATION – FOAMED GLASS
- 5 HOT BITUMEN
- 6 BITUMEN SHEET WATERPROOFING
- 7 BITUMEN SHEET WATERPROOFING
- 8 WATER ACCUMULATING AND DRAINAGE LAYER
- 9 FILTER LAYER
- 10 VEGETATION LAYER (OVER 200mm)
- 11a ROOF DRAIN HL3100THK
WITH BITUMEN MEMBRANE 500x500 mm
- 11b FROST-PROOF FLAP HL05100.4E
(NOT INCLUDED IN HL3100THK)
- 12 EXTENSION HL8500H WITH BITUMEN MEMBRANE
500x500 mm; INCL. O-RING, (HL3400)
- 13 DRAINAGE RING HL150
- 14 EXTENSION HL3400
- 15 FLAT LEAF STRAINER 151
(INCLUDED IN HL3100THK)
- 16 SEPARATING LAYER
- 17 GRANULAR FILL
- 18 ASSEMBLY FOAM
- 19 DOWNPIPE THERMAL INSULATION
- 20 DOWNPIPE
- 21 FILL FREE SPACE WITH MINERAL WOOL

NOTICE:

TO HEAT THE DRAIN, YOU MAY USE HEATING KIT HKL156 WITH REGULATING HEAT SOURCE 40W/M; 230 V; (APR. 12-14W HEATING TAPE). (THE HEATING TAPE INCL. THERMAL INSULATION MUST BE PULLED ON THE DRAIN BODY BEFORE INSTALLATION)
RECOMMENDED BOREHOLE DIAMETER IS $\varnothing 220\text{mm}$, $\varnothing 220 \times 220\text{mm}$.
DURING INSTALLATION TAKE CARE, THAT THE FLANGE POSITION IS ON THE LOWEST LEVEL OF DRAINAGE. WE RECOMMEND, TO SITE IT APPR. 1cm BELOW THE SCREED.
TO AVOID CONDENSATE WATER TAKE CARE OF THERMAL INSULATION ON THE CONSTRUCTION SITE.

122321BZ