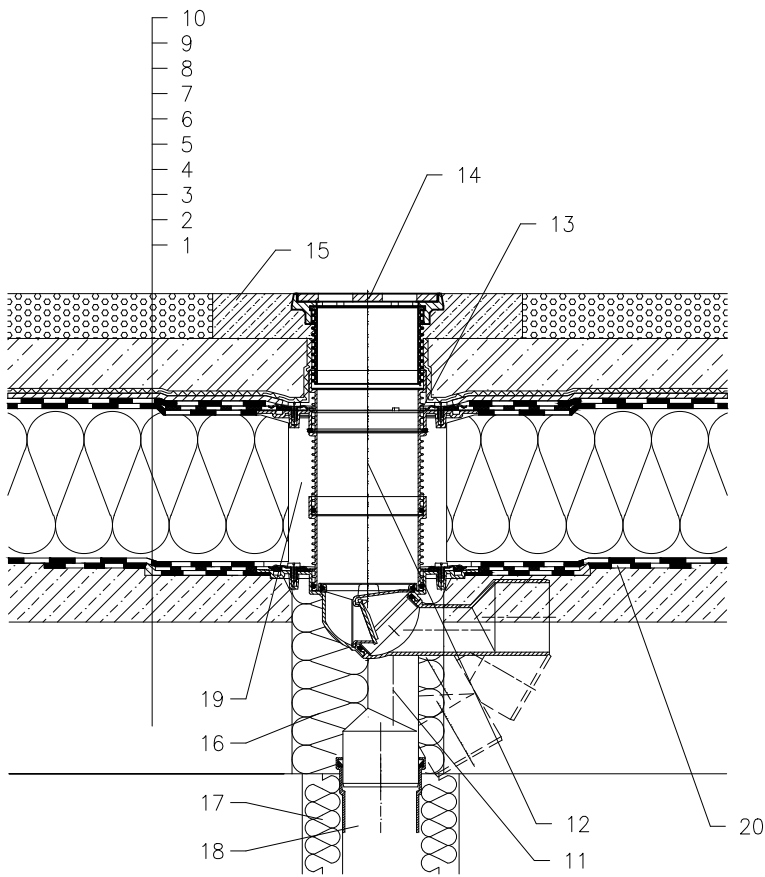


ROOF WITH THERMAL INSULATION – CAR PARK, CLASSICAL LAYERS, BITUMEN SHEETS



- 1 SUPPORT CONSTRUCTION
- 2 CONCRETE GRAVITY LAYER
- 3 MOISTURE STOP AND TEMPORARY SAFETY WATERPROOFING FROM BITUMEN SHEET
- 4 THERMAL INSULATION
- 5 BITUMEN SHEET WATERPROOFING NON SOLID GLUED OR LAID LOOSE
- 6 BITUMEN SHEET WATERPROOFING
- 7 DRAINAGE LAYER
- 8 FILTER LAYER
- 9 REINFORCED CONCRETE
- 10 CAST ASPHALT
- 11 TERRACE DRAIN HL81GH WITH FROST-PROOF FLAP

- WITH BITUMEN MEMBRANE \varnothing 400 mm, LOAD CLASSIFICATION L15 (MAX 1500 kg)
- 12 EXTENSION HL85NH WITH BITUMEN MEMBRANE \varnothing 400 mm; INCL. O-RING, (HL340N)
 - 13 NO TIGHT CONNECTION BECAUSE OF DISCHARGE OF LEAKAGE WATER
 - 14 EXTENSION WITH CAST IRON GRATE 137x137 mm AND CAST IRON FRAME 150x150 mm (INCLUDED IN HL81GH)
 - 15 CONCRETE 1000x1000x100 mm
 - 16 ASSEMBLY FOAM
 - 17 DOWNPIPE THERMAL INSULATION
 - 18 DOWNPIPE
 - 19 FILL FREE SPACE WITH MINERAL WOOL
 - 20 BITUMEN MEMBRANE \varnothing 750 mm

NOTICE:

TO HEAT THE DRAIN, YOU MAY USE HEATING KIT HL82 WITH SELF-REGULATING HEAT SOURCE 18W/220V. (THE HEATING TAPE MUST BE WRAPPED AROUND THE DRAIN BODY BEFORE INSTALLATION).
 RECOMMENDED BOREHOLE DIAMETER IS \varnothing 185mm, \varnothing 185x340mm.
 DURING INSTALLATION TAKE CARE, THAT THE FLANGE POSITION IS ON THE LOWEST LEVEL OF DRAINAGE. WE RECOMMEND, TO SITE IT APPR. 1cm BELOW THE SCREED.
 TO AVOID CONDENSATE WATER TAKE CARE OF THERMAL INSULATION ON THE CONSTRUCTION SITE.

122211X