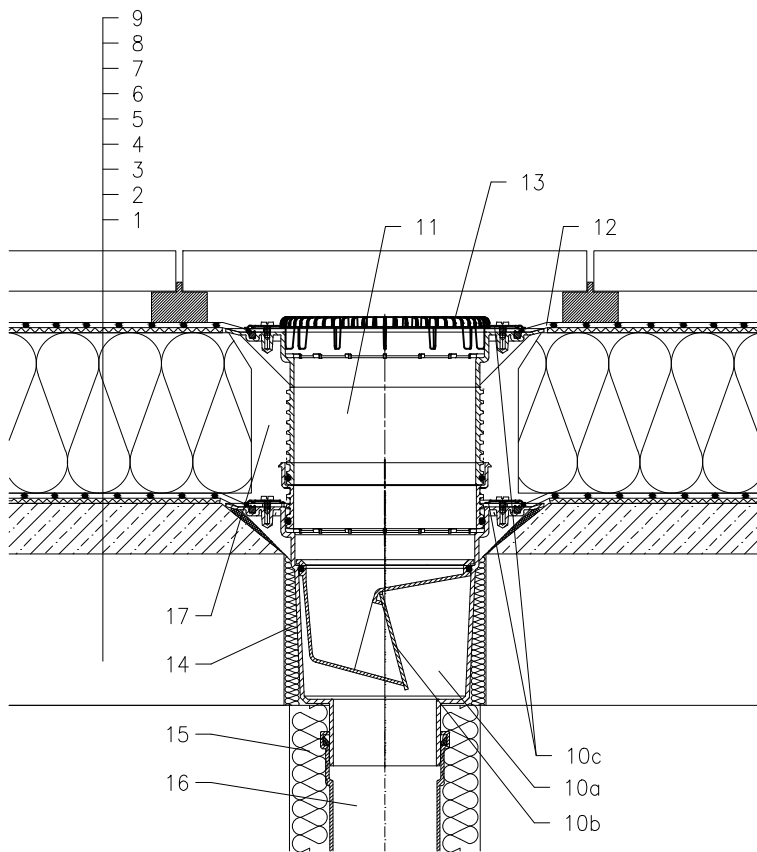


ROOF WITH THERMAL INSULATION – CLASSICAL LAYERS, PLASTIC FOIL
TERRACE, PAVEMENT ON STANDS



- 1 SUPPORT CONSTRUCTION
- 2 CONCRETE GRAVITY LAYER
- 3 SEPARATING AND DILATATION LAYER
- 4 MOISTURE STOP AND TEMPORARY SAFETY WATERPROOFING
- 5 THERMAL INSULATION
- 6 SEPARATING AND DILATATION LAYER
- 7 PLASTIC FOIL WATERPROOFING
- 8 SEPARATING LAYER
- 9 PAVEMENT ON STANDS
- 10a DRAIN BODY HL616K WITH FLANGE
- 10b FROST-PROOF FLAP HL0606.3E
- 10c SEALING KIT HL86.0 – WITHOUT SHEETING,
- 11 EXTENSION HL618 WITH FLANGE
INCL. O-RING (HL620)
- 12 PRE-CUT PART FOR SEALING COLLAR, SEE TOPIC "ATTACHEMENTS"
- 13 FLAT LEAF STRAINER HL191
LEAF STRAINER HL190
- 14 ASSEMBLY FOAM
- 15 DOWNPIPE THERMAL INSULATION
- 16 DOWNPIPE
- 17 FILL FREE SPACE WITH MINERAL WOOL

NOTICE:

TO HEAT THE DRAIN, YOU MAY USE HEATING KIT HL609 WITH SELF-REGULATING HEAT SOURCE 36W/230V. (THE HEATING TAPE MUST BE WRAPPED AROUND THE DRAIN BODY BEFORE INSTALLATION).
RECOMMENDED BOREHOLE DIAMETER IS $\varnothing 290\text{mm}$, OR: $\varnothing 290 \times 290\text{mm}$
DURING INSTALLATION TAKE CARE, THAT THE FLANGE POSITION IS ON THE LOWEST LEVEL OF DRAINAGE. WE RECOMMEND, TO SITE IT APPR. 1cm BELOW THE SCREED.
TO AVOID CONDENSATE WATER TAKE CARE OF THERMAL INSULATION ON THE CONSTRUCTION SITE.

122132Y