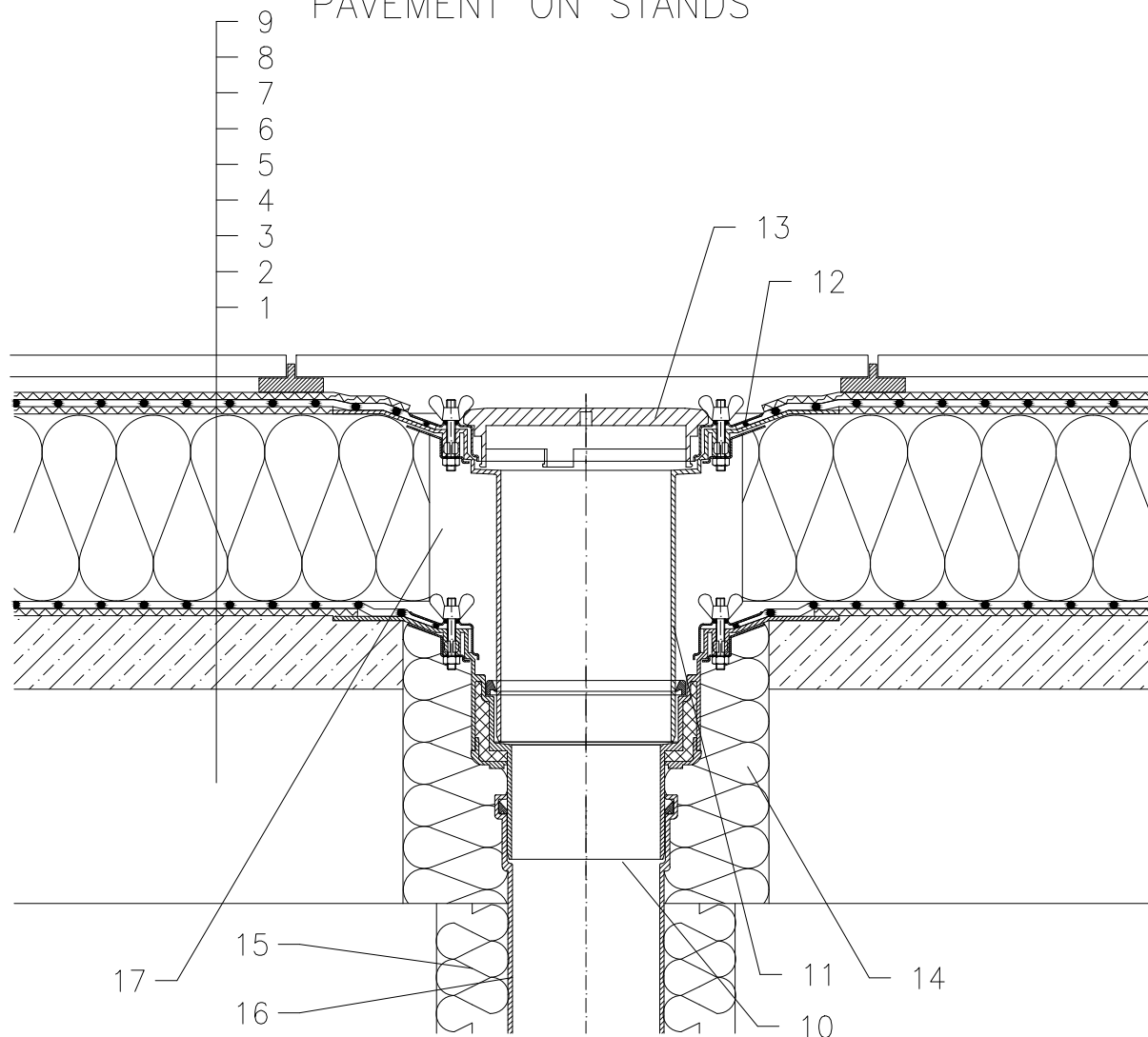


WARM ROOF – WALKABLE, CLASSICAL STRUCTURE, PLASTIC FOIL WATERPROOFING  
PAVEMENT ON STANDS



- 1 SUPPORT CONSTRUCTION
- 2 GRAVITY LAYER
- 3 DILATATION LAYER
- 4 MOISTURE STOP AND TEMPORARY SAFETY WATERPROOFING FROM PLASTIC FOIL
- 5 THERMAL INSULATION
- 6 DILATATION LAYER
- 7 PLASTIC FOIL WATERPROOFING LAID LOOSE
- 8 DILATATION LAYER
- 9 PAVEMENT ON STANDS
- 10 FLAT-ROOF DRAIN HL62 WITH INSULATED DRAIN BODY, FLANGE AND STAINLESS STEEL CLAMPING RING (FOR PVC SHEETINGS FLAT -ROOF DRAIN HL62P; FOR FPO SHEETINGS BASED ON PP FLAT -ROOF DRAIN HL62F)
- 11 EXTENSION HL65 WITH FLANGE, STAINLESS STEEL (FOR PVC SHEETINGS FLAT -EXTENSION HL65P; FOR FPO SHEETINGS BASED ON PP FLAT-EXTENSION HL65F)
- 12 SEALING PACKING (SEE DETAIL-ACCESSORIES)
- 13 FLAT GRATE HL170
- 14 ASSEMBLY FOAM
- 15 DOWNPIPE THERMAL INSULATION
- 16 DOWNPIPE
- 17 FILL FREE SPACE WITH MINERAL WOOL

NOTE:

FLAT-ROOF DRAIN HL62.1(FOR PVC SHEETINGS FLAT -ROOF DRAIN HL62.1P;  
FOR FPO SHEETINGS BASED ON PP FLAT -ROOF DRAIN HL62.1F)

HEATED (230V, 10-30 WATTS) CAN BE USED.

ASSEMBLY INLET:  $\varnothing$ 255 mm, OR 255 x 380 mm