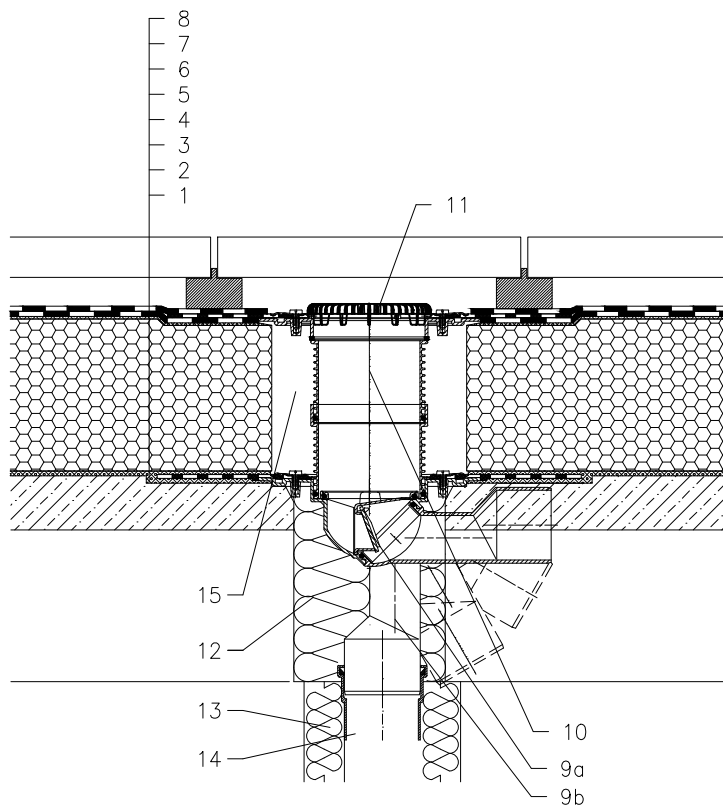


ROOF WITH THERMAL INSULATION – COMPACT ROOF BITUMEN SHEETS
TERRACE, PAVEMENT ON STANDS



- 1 SUPPORT CONSTRUCTION
- 2 CONCRETE GRAVITY LAYER
- 3 HOT BITUMEN
- 4 THERMAL INSULATION – FOAMED GLASS
- 5 HOT BITUMEN
- 6 BITUMEN SHEET WATERPROOFING
- 7 BITUMEN SHEET WATERPROOFING
- 8 PAVEMENT ON STANDS
- 9a DRAIN BODY HL80HK
WITH BITUMEN MEMBRANE \varnothing 400 mm,
- 9b FROST-PROOF FLAP HL080.4E
- 10 EXTENSION HL85NH WITH BITUMEN MEMBRANE
 \varnothing 400 mm; INCL. O-RING, (HL340N)
- 11 FLAT LEAF STRAINER HL181
LEAF STRAINER HL180
- 12 ASSEMBLY FOAM
- 13 DOWNPIPE THERMAL INSULATION
- 14 DOWNPIPE
- 15 FILL FREE SPACE WITH MINERAL WOOL

NOTICE:

TO HEAT THE DRAIN, YOU MAY USE HEATING KIT HL82 WITH SELF-REGULATING HEAT SOURCE 18W/220V. (THE HEATING TAPE MUST BE WRAPPED AROUND THE DRAIN BODY BEFORE INSTALLATION).

RECOMMENDED BOREHOLE DIAMETER IS \varnothing 185mm, \varnothing 185x340mm.

DURING INSTALLATION TAKE CARE, THAT THE FLANGE POSITION IS ON THE LOWEST LEVEL OF DRAINAGE. WE RECOMMEND, TO SITE IT APPR. 1cm BELOW THE SCREED.

TO AVOID CONDENSATE WATER TAKE CARE OF THERMAL INSULATION ON THE CONSTRUCTION SITE.

122131BX