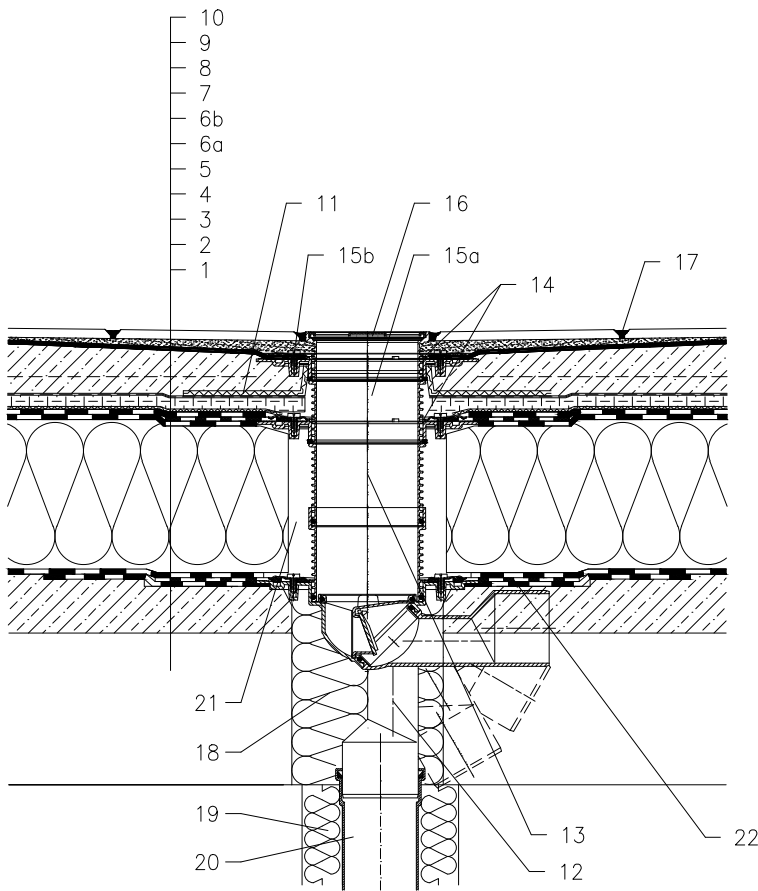


ROOF WITH THERMAL INSULATION – CLASSICAL LAYERS, BITUMEN SHEETS
 TERRACE, PAVEMENT IN CONCRETE, WITH THINBED WATERPROOFING AND DRAINAGE MAT



- 1 SUPPORT CONSTRUCTION
- 2 CONCRETE GRAVITY LAYER
- 3 MOISTURE STOP AND TEMPORARY SAFETY WATERPROOFING FROM BITUMEN SHEET
- 4 THERMAL INSULATION
- 5 BITUMEN SHEET WATERPROOFING NON SOLID GLUED OR LAID LOOSE
- 6a BITUMEN SHEET WATERPROOFING
- 6b SEPARATING LAYER
- 7 DRAINAGE LAYER AND SEPARATING LAYER for example: DRAINAGE MAT AquaDrain FE+
- 8 CONCRETE SLAB
- 9 THINBED WATERPROOFING
- 10 PAVEMENT EMBEDDED IN CONCRETE
- 11 SEPARATING LAYER
- 12 TERRACE DRAIN HL80H WITH FROST-PROOF FLAP WITH BITUMEN MEMBRANE \varnothing 400 mm, LOAD CLASSIFICATION K3 (MAX 300 kg)
- 13 EXTENSION HL85NH WITH BITUMEN MEMBRANE \varnothing 400 mm; INCL. O-RING
- 14 NO TIGHT CONNECTION BECAUSE OF DISCHARGE OF LEAKAGE WATER
- 15a EXTENSION HL85N WITH FLANGE INCL. O-RING
- 15b SEALING KIT HL83.M – WITH LAMINATED FLEECE (400x400 mm)
- 16 EXTENSION WITH STAINLESS STEEL GRATE 115x115 mm AND PLASTIC FRAME 123x123 mm (INCLUDED IN HL80H)
- 17 JOINT FILLER
- 18 ASSEMBLY FOAM
- 19 DOWNPIPE THERMAL INSULATION
- 20 DOWNPIPE
- 21 FILL FREE SPACE WITH MINERAL WOOL
- 22 BITUMEN MEMBRANE \varnothing 750 mm

NOTICE:

TO HEAT THE DRAIN, YOU MAY USE HEATING KIT HL82 WITH SELF-REGULATING HEAT SOURCE 18W/220V. (THE HEATING TAPE MUST BE WRAPPED AROUND THE DRAIN BODY BEFORE INSTALLATION).
 RECOMMENDED BOREHOLE DIAMETER IS \varnothing 185mm, ∇ 185x340mm.
 DURING INSTALLATION TAKE CARE, THAT THE FLANGE POSITION IS ON THE LOWEST LEVEL OF DRAINAGE. WE RECOMMEND, TO SITE IT APPR. 1cm BELOW THE SCREED.
 TO AVOID CONDENSATE WATER TAKE CARE OF THERMAL INSULATION ON THE CONSTRUCTION SITE.

122113ADX