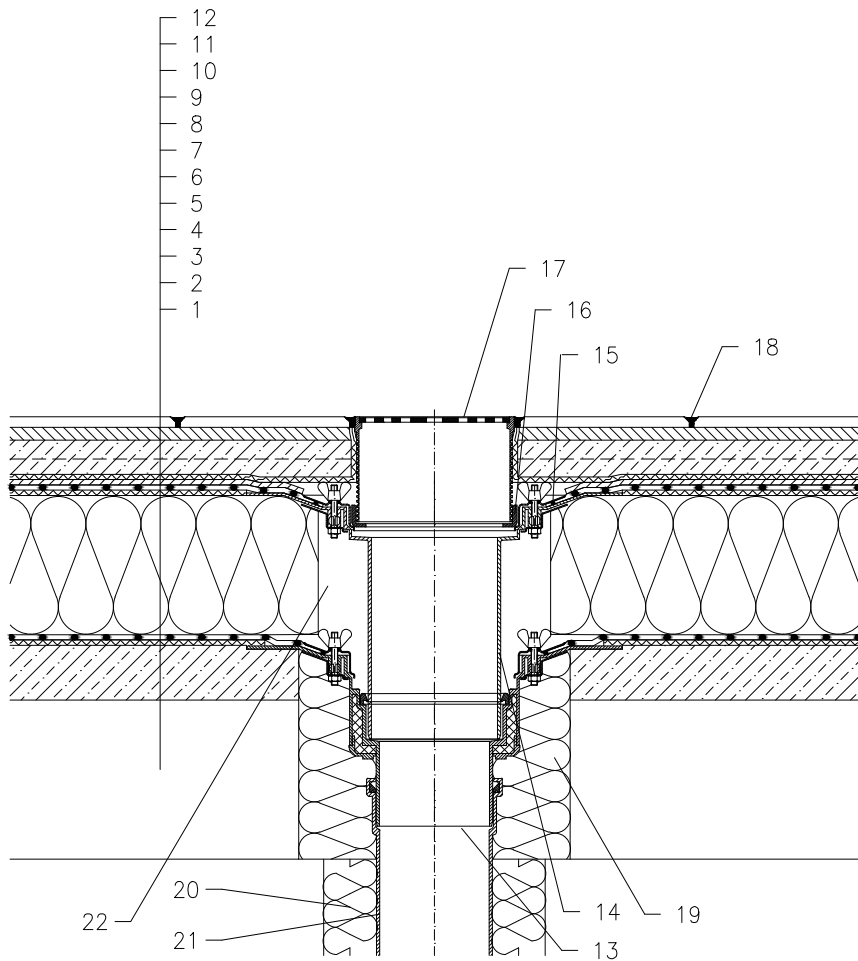


WARM ROOF – WALKABLE, CLASSICAL STRUCTURE, PLASTIC FOIL WATERPROOFING
PAVEMENT GLUED



- 1 SUPPORT CONSTRUCTION
- 2 GRAVITY LAYER
- 3 DILATATION LAYER
- 4 MOISTURE STOP AND TEMPORARY SAFETY WATERPROOFING FROM PLASTIC FOIL
- 5 THERMAL INSULATION
- 6 DILATATION LAYER
- 7 PLASTIC FOIL WATERPROOFING LAID LOOSE
- 8 DRAINAGE LAYER
- 9 FILTER LAYER
- 10 CONCRETE SLAB
- 11 MORTAR BED OR GLUE
- 12 PAVEMENT
- 13 FLAT-ROOF DRAIN HL62B WITH INSULATED DRAIN BODY, FLANGE AND STAINLESS STEEL CLAMPING RING
(FOR PVC SHEETINGS FLAT –ROOF DRAIN HL62P;
FOR FPO SHEETINGS BASED ON PP FLAT –ROOF DRAIN HL62F)
- 14 EXTENSION HL65 WITH FLANGE, STAINLESS STEEL CLAMPING RING AND LIP SEAL
(FOR PVC SHEETINGS FLAT –EXTENSION HL65P;
FOR FPO SHEETINGS BASED ON PP FLAT –EXTENSION HL65F)
- 15 SEALING PACKING (SEE DETAIL-ACCESSORIES)
- 16 ADAPTER 062B.3E (INCL. WITH HL62B)
- 17 GRATING HL66.9 WITH STAINLESS STEEL GRATE 150x150 mm CHARGEABLE TO 300 kg (INCL. WITH HL62B)
- 18 JOINT FILLER
- 19 ASSEMBLY FOAM
- 20 DOWNPIPE THERMAL INSULATION
- 21 DOWNPIPE
- 22 FILL FREE SPACE WITH MINERAL WOOL

NOTE:

FLAT-ROOF DRAIN HL62.1B (FOR PVC SHEETINGS FLAT –ROOF DRAIN HL62.1BP;
FOR FPO SHEETINGS BASED ON PP FLAT –ROOF DRAIN HL62.1BF)
HEATED (230V, 10–30 WATTS) CAN BE USED.
ASSEMBLY INLET: \varnothing 255 mm, OR 255 x 380 mm

122112