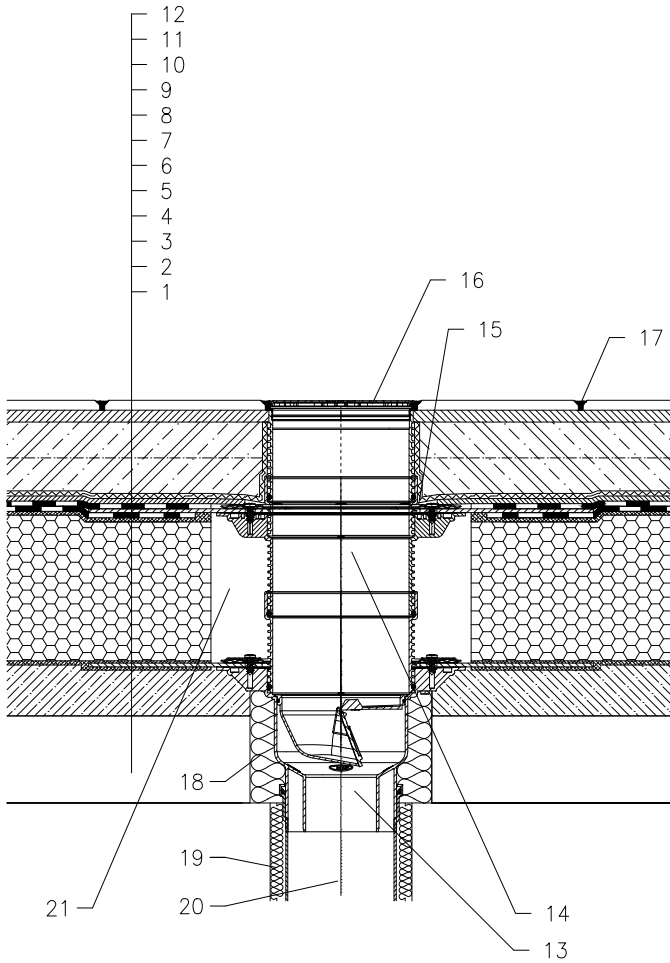


ROOF WITH THERMAL INSULATION – COMPACT ROOF BITUMEN SHEETS  
TERRACE, PAVEMENT IN CONCRETE



- 1 SUPPORT CONSTRUCTION
- 2 CONCRETE GRAVITY LAYER
- 3 HOT BITUMEN
- 4 THERMAL INSULATION – FOAMED GLASS
- 5 HOT BITUMEN
- 6 BITUMEN SHEET WATERPROOFING
- 7 BITUMEN SHEET WATERPROOFING
- 8 DRAINAGE LAYER
- 9 FILTER LAYER
- 10 CONCRETE SLAB
- 11 MORTAR BED OR GLUE
- 12 PAVEMENT
- 13 TERRACE DRAIN HL3100TH WITH FROST-PROOF FLAP  
WITH BITUMEN MEMBRANE 500x500 mm,  
LOAD CLASSIFICATION K3 (MAX 300 kg)
- 14 EXTENSION HL8500H WITH BITUMEN MEMBRANE  
500x500 mm; INCL. O-RING, (HL3400)
- 15 NO TIGHT CONNECTION BECAUSE OF DISCHARGE OF LEAKAGE WATER
- 16 EXTENSION WITH STAINLESS STEEL GRATE 138x138 mm  
AND STAINLESS STEEL FRAME 145x145 mm  
(INCLUDED IN HL3100TH)
- 17 JOINT FILLER
- 18 ASSEMBLY FOAM
- 19 DOWNPIPE THERMAL INSULATION
- 20 DOWNPIPE
- 21 FILL FREE SPACE WITH MINERAL WOOL

NOTICE:

TO HEAT THE DRAIN, YOU MAY USE HEATING KIT HKL156 WITH REGULATING HEAT SOURCE 40W/M; 230 V; (APR. 12-14W HEATING TAPE). (THE HEATING TAPE INCL. THERMAL INSULATION MUST BE PULLED ON THE DRAIN BODY BEFORE INSTALLATION)  
RECOMMENDED BOREHOLE DIAMETER IS  $\varnothing 220\text{mm}$ ,  $220 \times 220\text{mm}$ .  
DURING INSTALLATION TAKE CARE, THAT THE FLANGE POSITION IS ON THE LOWEST LEVEL OF DRAINAGE. WE RECOMMEND, TO SITE IT APPR. 1cm BELOW THE SCREED.  
TO AVOID CONDENSATE WATER TAKE CARE OF THERMAL INSULATION ON THE CONSTRUCTION SITE.

122111BZ