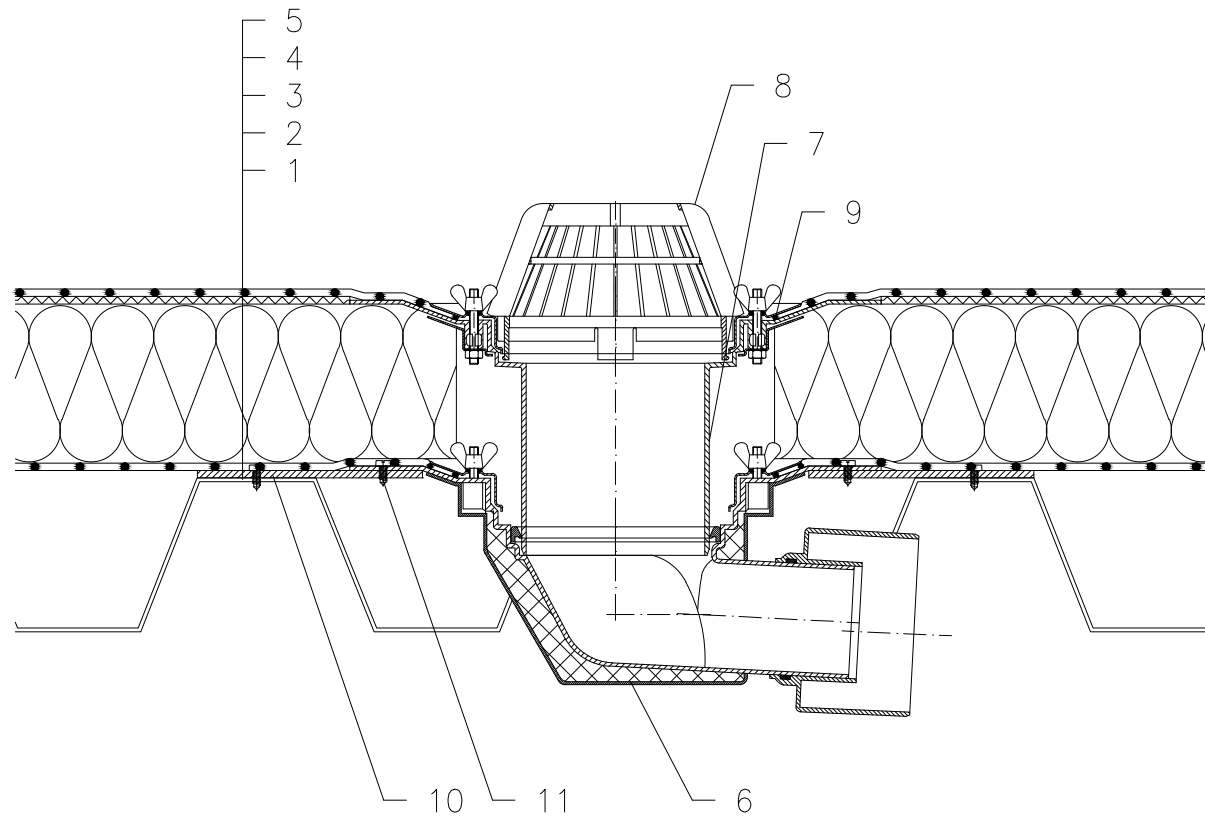


WARM ROOF – ANCHORED SYSTEM, CLASSICAL STRUCTURE, WITH MOISTURE STOP,  
 TRAPEZOIDAL PLATE SUPPORTING STRUCTURE, PLASTIC FOIL WATERPROOFING



- 1 TRAPEZOIDAL PLATE
- 2 MOISTURE STOP AND TEMPORARY SAFETY WATERPROOFING FROM PLASTIC FOIL
- 3 THERMAL INSULATION
- 4 DILATATION LAYER
- 5 PLASTIC FOIL WATERPROOFING LAID LOOSE AND MECHANICALLY ANCHORED
- 6 FLAT-ROOF DRAIN HL64 WITH INSULATED DRAIN BODY, FLANGE AND STAINLESS STEEL CLAMPING RING (FOR PVC SHEETINGS FLAT -ROOF DRAIN HL64P; FOR FPO SHEETINGS BASED ON PP FLAT -ROOF DRAIN HL64F)
- 7 EXTENSION HL65 WITH FLANGE, STAINLESS STEEL CLAMPING RING AND LIP SEAL (FOR PVC SHEETINGS FLAT -EXTENSION HL65P; FOR FPO SHEETINGS BASED ON PP FLAT -EXTENSION HL65F)
- 8 DOMED PLASTIC GRATE  $\varnothing 180$  mm (INCL. WITH HL64)
- 9 SEALING PACKING (SEE DETAIL-ACCESSORIES)
- 10 MOUNTING METAL PLATE
- 11 ANCHOR BOLT

NOTE:

FLAT-ROOF DRAIN HL64.1.(FOR PVC SHEETINGS FLAT -ROOF DRAIN HL64.1P;  
 FOR FPO SHEETINGS BASED ON PP FLAT -ROOF DRAIN HL64.1F)  
 HEATED (230V, 10-30 WATTS) CAN BE USED.  
 ASSEMBLY INLET: 260 x 380 mm

121222B