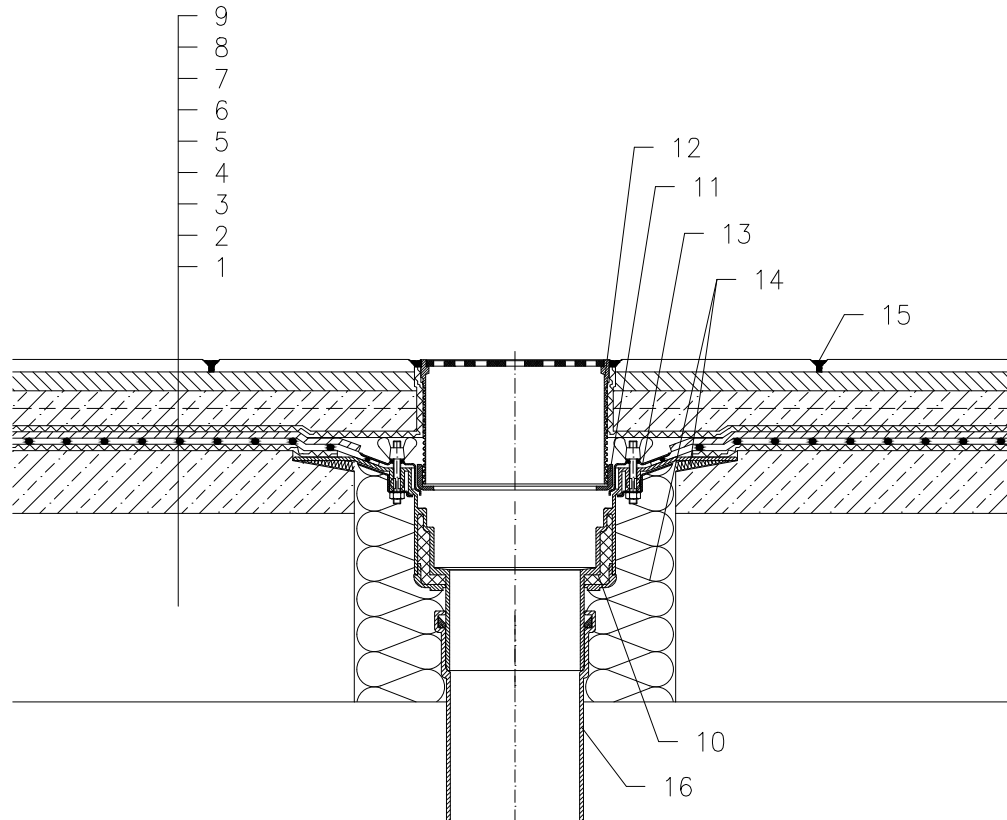


# NON-INSULATED – WALKABLE, PAVEMENT GLUED, PLASTIC FOIL WATERPROOFING



- 1 SUPPORT CONSTRUCTION
- 2 GRAVITY LAYER
- 3 DILATATION LAYER
- 4 PLASTIC FOIL WATERPROOFING LAID LOOSE
- 5 DRAINAGE LAYER
- 6 FILTER LAYER
- 7 CONCRETE SLAB
- 8 MORTAR BED OR GLUE
- 9 PAVEMENT
- 10 FLAT-ROOF DRAIN HL62B WITH INSULATED DRAIN BODY, FLANGE AND STAINLESS STEEL CLAMPING RING, (FOR PVC SHEETINGS FLAT-ROOF DRAIN HL62BP; FOR FPO SHEETINGS BASED ON PP FLAT-ROOF DRAIN HL62BF)
- 11 ADAPTER O62B.3E (INCL. WITH HL62B)
- 12 GRATING HL66.9 WITH STAINLESS STEEL GRATE 150x150 mm, CHARGEABLE TO 300 kg (INCL. WITH HL62B)
- 13 SEALING PACKING, (SEE ACCESSORIES)
- 14 ASSEMBLY FOAM
- 15 JOINT FILLER
- 16 DOWNPIPE

**NOTE:**

FLAT-ROOF DRAIN HL62.1B, (FOR PVC SHEETINGS FLAT-ROOF DRAIN HL62.1BP; FOR FPO SHEETINGS BASED ON PP FLAT-ROOF DRAIN HL62.1BF) HEATED (230V, 10-30 WATTS) CAN BE USED.  
 ASSEMBLY INLET:  $\varnothing$ 255 MM, ALTERNATIVELY 255X380 MM

112112