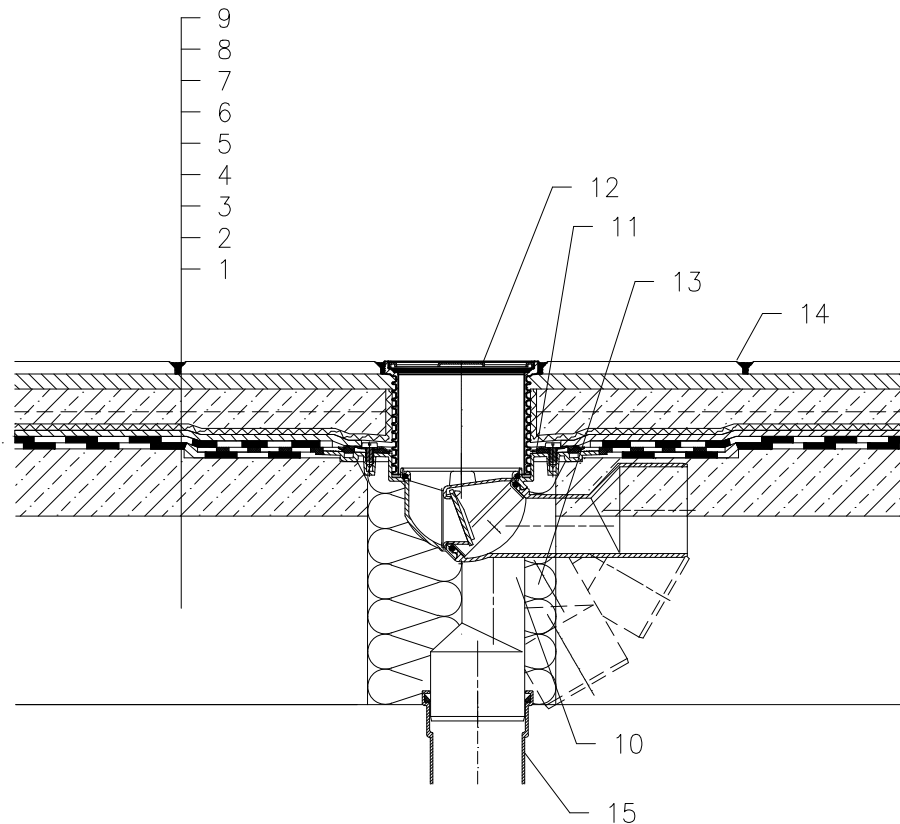


## ROOFS WITHOUT THERMAL INSULATION – TERRACE, PAVEMENT IN CONCRETE, BITUMEN SHEETS



- 1 SUPPORT CONSTRUCTION
- 2 CONCRETE GRAVITY LAYER
- 3 BITUMEN SHEET WATERPROOFING  
NON SOLID GLUED OR LAID LOOSE
- 4 BITUMEN SHEET WATERPROOFING
- 5 DRAINAGE LAYER
- 6 FILTER LAYER
- 7 CONCRETE SLAB
- 8 MORTAR BED OR GLUE
- 9 PAVEMENT
- 10 TERRACE DRAIN HL80H WITH FROST-PROOF FLAP  
AND BITUMEN MEMBRANE  
LOAD CLASSIFICATION K3 (MAX 300 kg)
- 11 NO TIGHT CONNECTION BECAUSE OF DISCHARGE OF LEAKAGE WATER
- 12 EXTENSION WITH STAINLESS STEEL GRATE 115x115 mm  
AND PLASTIC FRAME 123x123 mm  
(INCLUDED IN HL80H)
- 13 ASSEMBLY FOAM
- 14 JOINT FILLER
- 15 DOWNPIPE

### NOTICE:

TO HEAT THE DRAIN, YOU MAY USE HEATING KIT HL82 WITH SELF-REGULATING HEAT SOURCE 18W/220V. (THE HEATING TAPE MUST BE WRAPPED AROUND THE DRAIN BODY BEFORE INSTALLATION).

RECOMMENDED BOREHOLE DIAMETER IS  $\varnothing 185\text{mm}$ ,  $\square 185 \times 185\text{mm}$ .

DURING INSTALLATION TAKE CARE, THAT THE FLANGE POSITION IS ON THE LOWEST LEVEL OF DRAINAGE. WE RECOMMEND, TO SITE IT APPR. 1cm BELOW THE SCREED.

TO AVOID CONDENSATE WATER TAKE CARE OF THERMAL INSULATION ON THE CONSTRUCTION SITE.

112111X