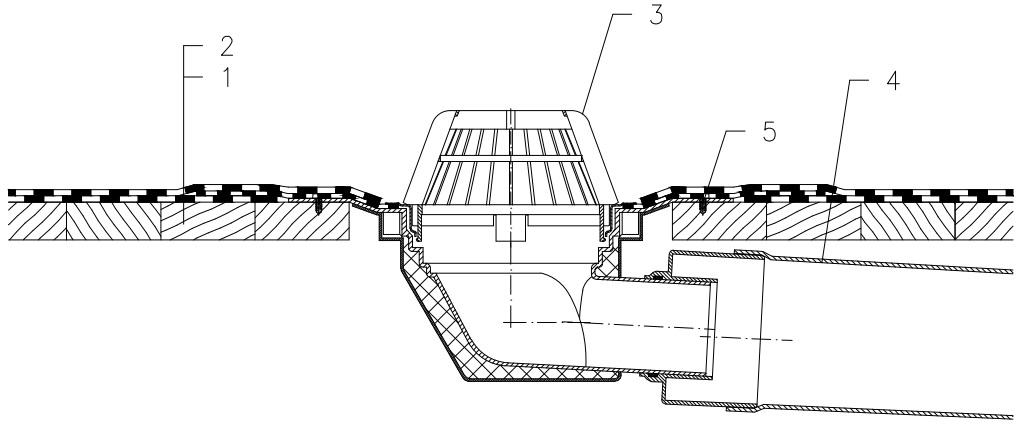


NON-INSULATED – ANCHORED SYSTEM, BITUMEN SHEET WATERPROOFING
UNDERLAYER BOARDING



- 1 SUPPORT CONSTRUCTION – BOARDING
- 2 BITUMEN SHEET WATERPROOFING MECHANICALLY ANCHORED
- 3 FLAT-ROOF DRAIN HL64H WITH INSULATED DRAIN BODY, WITH FACTORY WELDED BITUMEN MEMBRANE ϕ 500 mm, THICKNESS 4 mm, DOMED PLASTIC GRATE ϕ 180 mm
- 4 DOWNPIPE
- 5 ANCHOR BOLT

NOTE:
FLAT-ROOF DRAIN HL64.1H HEATED (230V, 10-30 WATTS) CAN BE USED.
ASSEMBLY INLET: 260X380 MM

111211