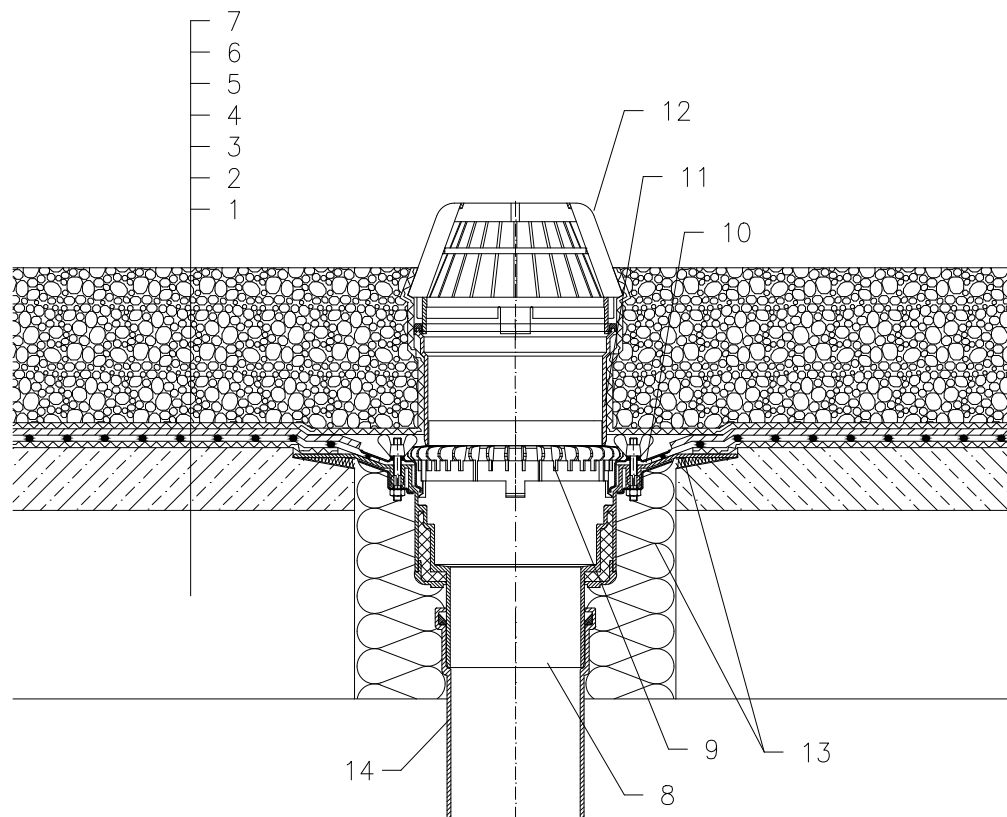


NON-INSULATED – LOADED SYSTEM, PLASTIC FOIL WATERPROOFING



- 1 SUPPORT CONSTRUCTION
- 2 GRAVITY LAYER
- 3 DILATATION AND SEPARATING LAYER
- 4 PLASTIC FOIL WATERPROOFING NON-SOLID GLUED OR LAID LOOSE
- 5 DRAINAGE LAYER
- 6 FILTER LAYER
- 7 STABILIZING LAYER
- 8 FLAT-ROOF DRAIN HL62 WITH INSULATED DRAIN BODY, FLANGE AND STAINLESS STEEL CLAMPING RING, (FOR PVC SHEETINGS FLAT-ROOF DRAIN HL62P; FOR FPO SHEETINGS BASED ON PP FLAT-ROOF DRAIN HL62F)
- 9 GRAVEL GUARD HL160
- 10 SEALING PACKING, (SEE ACCESSORIES)
- 11 EXTENSION HL350
- 12 DOMED PLASTIC GRATE $\varnothing 180$ mm (INCL. WITH HL62)
- 13 ASSEMBLY FOAM
- 14 DOWNPIPE

NOTE:

FLAT-ROOF DRAIN HL62.1, (FOR PVC SHEETINGS FLAT-ROOF DRAIN HL62.1P; FOR FPO SHEETINGS BASED ON PP FLAT-ROOF DRAIN HL62.1F) HEATED (230V, 10-30 WATTS) CAN BE USED.
 ASSEMBLY INLET: $\varnothing 255$ MM, ALTERNATIVELY 255X380 MM

111123