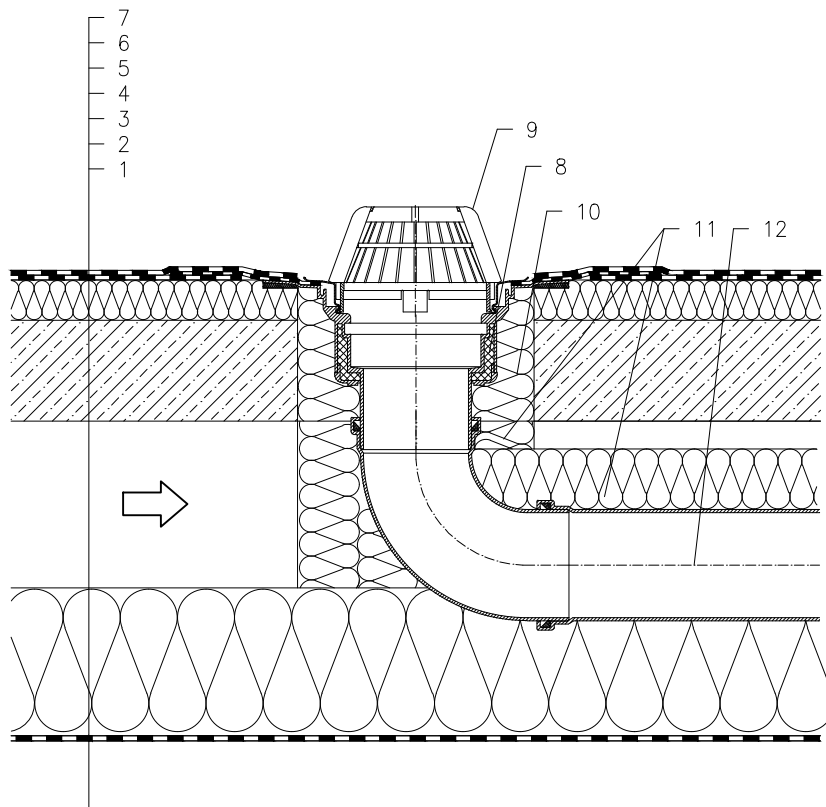


DOUBLE LAYER ROOF – GLUED SYSTEM, CONCRETE SUPPORTING STRUCTURE
BITUMEN SHEET WATERPROOFING



- 1 SUPPORT CONSTRUCTION
- 2 MOISTURE STOP AND TEMPORARY SAFETY WATERPROOFING FROM BITUMEN SHEET OR PLASTIC FOIL
- 3 THERMAL INSULATION
- 4 AIR LAYER
- 5 UPPER CLADDING SUPPORTING STRUCTURE – CONCRETE
- 6 UPPER CLADDING THERMAL INSULATION
- 7 BITUMEN SHEET WATERPROOFING NON-SOLID GLUED
- 8 FLAT-ROOF DRAIN HL62H WITH INSULATED DRAIN BODY, WITH FACTORY WELDED BITUMEN MEMBRANE \varnothing 500 mm, THICKNESS 4 mm
- 9 DOMED PLASTIC GRATE \varnothing 180 mm (INCL. WITH HL62H)
- 10 ASSEMBLY FOAM
- 11 DOWNPIPE THERMAL INSULATION
- 12 DOWNPIPE

NOTE:

FLAT-ROOF DRAIN HL62.1H HEATED (230V, 10–30 WATTS) CAN BE USED.

ASSEMBLY INLET: \varnothing 255 mm, OR 255 x 380 mm