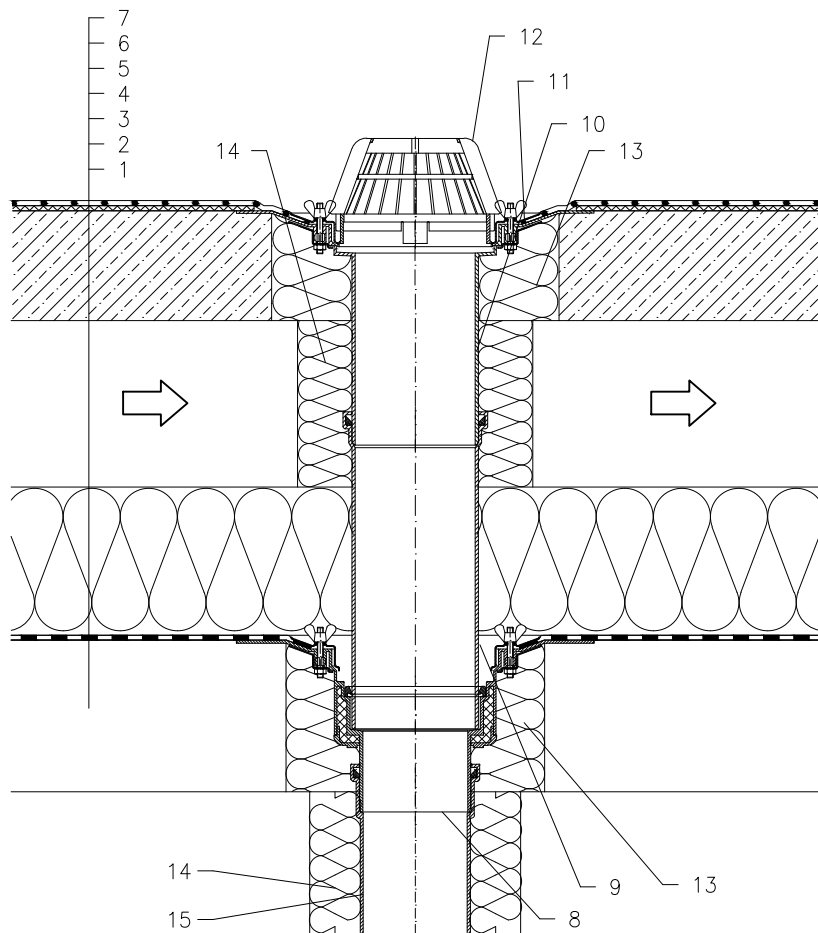


DOUBLE LAYER ROOF – GLUED SYSTEM, CONCRETE SUPPORTING STRUCTURE
 PLASTIC FOIL WATERPROOFING



- 1 SUPPORT CONSTRUCTION
- 2 MOISTURE STOP AND TEMPORARY SAFETY WATERPROOFING FROM BITUMEN SHEET OR PLASTIC FOIL
- 3 THERMAL INSULATION
- 4 AIR LAYER
- 5 UPPER CLADDING SUPPORTING STRUCTURE – CONCRETE
- 6 DILATATION LAYER
- 7 PLASTIC FOIL WATERPROOFING NON-SOLID GLUED
- 8 FLAT-ROOF DRAIN HL62 WITH INSULATED DRAIN BODY, FLANGE AND STAINLESS STEEL CLAMPING RING
- 9 EXTENSION WITH TUBE DN125
- 10 EXTENSION HL65 WITH FLANGE, STAINLESS STEEL CLAMPING RING AND LIP SEAL
 (FOR PVC SHEETINGS FLAT –EXTENSION HL65P;
 FOR FPO SHEETINGS BASED ON PP FLAT –EXTENSION HL65F)
- 11 SEALING PACKING (SEE DETAIL-ACCESSORIES)
- 12 DOMED PLASTIC GRATE \varnothing 180 mm (INCL. WITH HL62)
- 13 ASSEMBLY FOAM
- 14 DOWNPIPE THERMAL INSULATION
- 15 DOWNPIPE

NOTE:
 FLAT-ROOF DRAIN HL62.1 HEATED (230V, 10-30 WATTS) CAN BE USED.
 ASSEMBLY INLET: \varnothing 255 mm, OR 255 x 380 mm