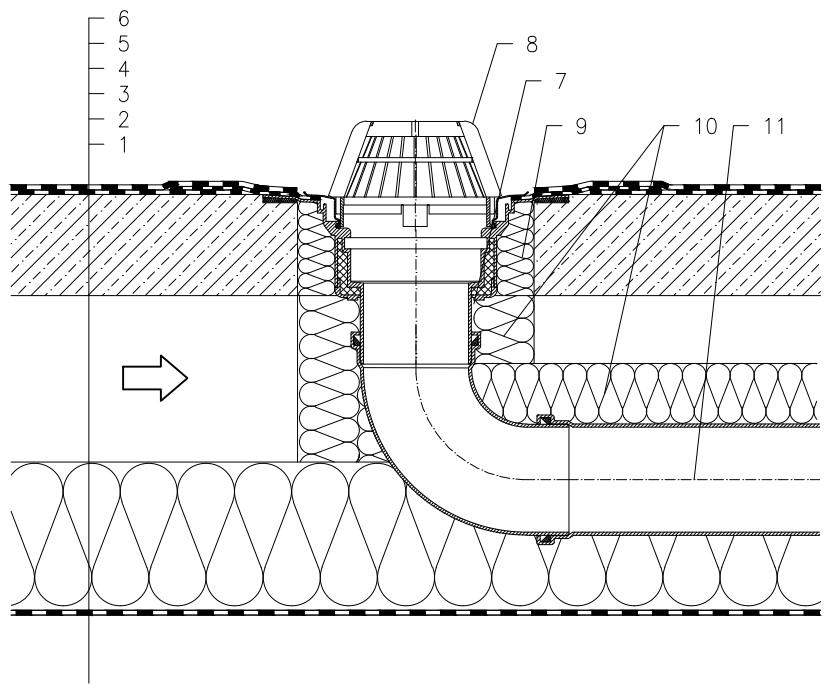


DOUBLE LAYER ROOF – ANCHORED SYSTEM, CONCRETE SUPPORTING STRUCTURE
BITUMEN SHEET WATERPROOFING



- 1 SUPPORT CONSTRUCTION
- 2 MOISTURE STOP AND TEMPORARY SAFETY WATERPROOFING FROM BITUMEN SHEET OR PLASTIC FOIL
- 3 THERMAL INSULATION
- 4 AIR LAYER
- 5 UPPER CLADDING SUPPORTING STRUCTURE – CONCRETE
- 6 BITUMEN SHEET WATERPROOFING MECHANICALLY ANCHORED
- 7 FLAT-ROOF DRAIN HL62H WITH INSULATED DRAIN BODY, WITH FACTORY WELDED BITUMEN MEMBRANE $\varnothing 500$ mm, THICKNESS 4 mm
- 8 DOMED PLASTIC GRATE $\varnothing 180$ mm (INCL. WITH HL62H)
- 9 ASSEMBLY FOAM
- 10 DOWNPIPE THERMAL INSULATION
- 11 DOWNPIPE

NOTE:
 FLAT-ROOF DRAIN HL62.1H HEATED (230V, 10-30 WATTS) CAN BE USED.
 ASSEMBLY INLET: $\varnothing 255$ mm, OR 255 x 380 mm