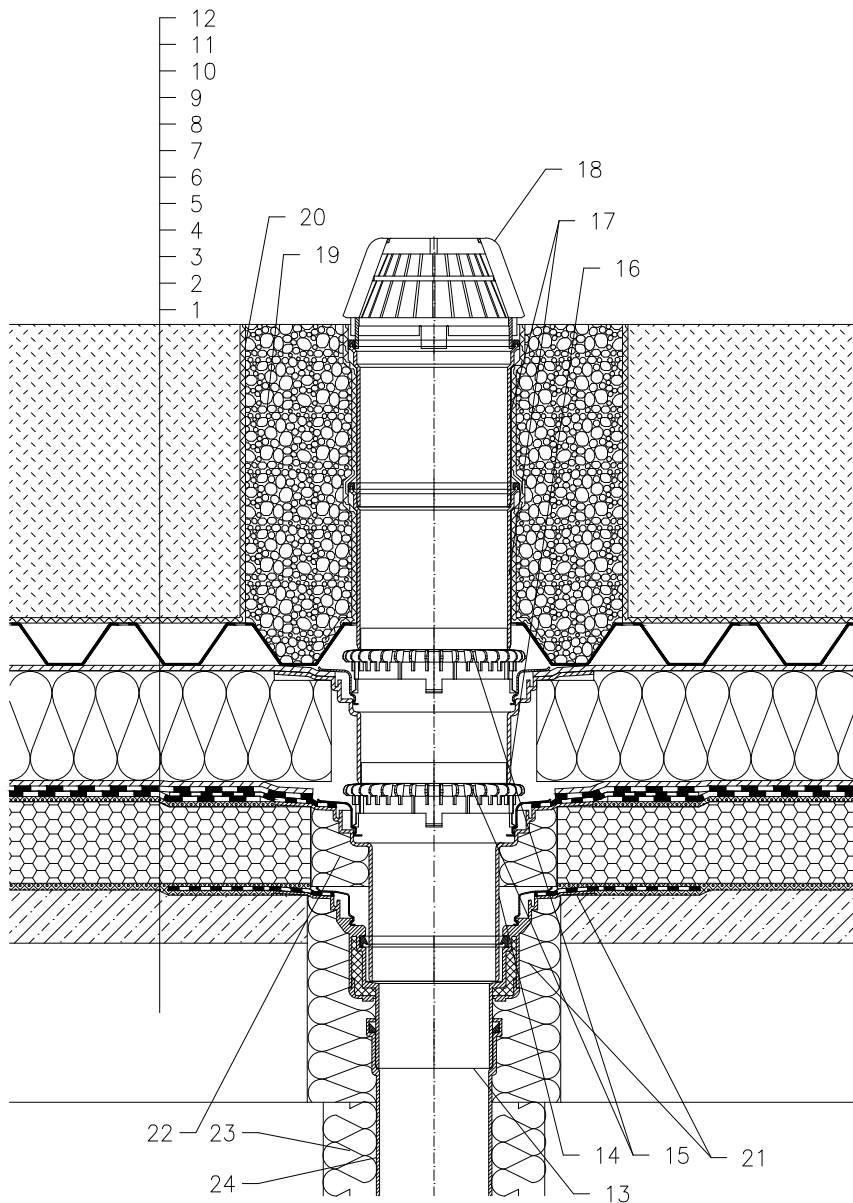


WARM ROOF – GREEN ROOF, COMBINED COMPACT STRUCTURE, BITUMEN SHEET WATERPROOFING
INTENSIVE GRASSING



- 1 SUPPORT CONSTRUCTION
- 2 GRAVITY LAYER
- 3 HOT BITUMEN
- 4 THERMAL INSULATION – CELLULAR GLASS
- 5 HOT BITUMEN
- 6 BITUMEN SHEET WATERPROOFING SOLID GLUED
- 7 DRAINAGE LAYER
- 8 THERMAL INSULATION FROM XPS
- 9 DRAINAGE LAYER
- 10 WATER ACCUMULATING LAYER
- 11 FILTER LAYER
- 12 VEGETATION LAYER (OVER 200 mm)
- 13 FLAT-ROOF DRAIN HL62H WITH INSULATED DRAIN BODY, WITH FACTORY WELDED BITUMEN MEMBRANE \varnothing 500 mm, THICKNESS 4 mm
- 14 EXTENSION HL65H WITH FLANGE AND FACTORY WELDED BITUMEN MEMBRANE \varnothing 500 mm, THICKNESS 4 mm
- 15 GRAVEL GUARD HL160
- 16 EXTENSION HL350.0 WITH FLANGE AND WATERPROOFING KIT HL84.0
- 17 EXTENSION HL350
- 18 DOMED PLASTIC GRATE \varnothing 180 mm (INCL. WITH HL62H)
- 19 GRANULAR FILL
- 20 DILATATION LAYER
- 21 ASSEMBLY FOAM
- 22 FILL FREE SPACE WITH MINERAL WOOL
- 23 DOWNPIPE THERMAL INSULATION
- 24 DOWNPIPE

NOTE:

FLAT-ROOF DRAIN HL62.1H HEATED (230V, 10–30 WATTS) CAN BE USED.

ASSEMBLY INLET: \varnothing 255 MM, ALTERNATIVELY 255X380 MM

142321B