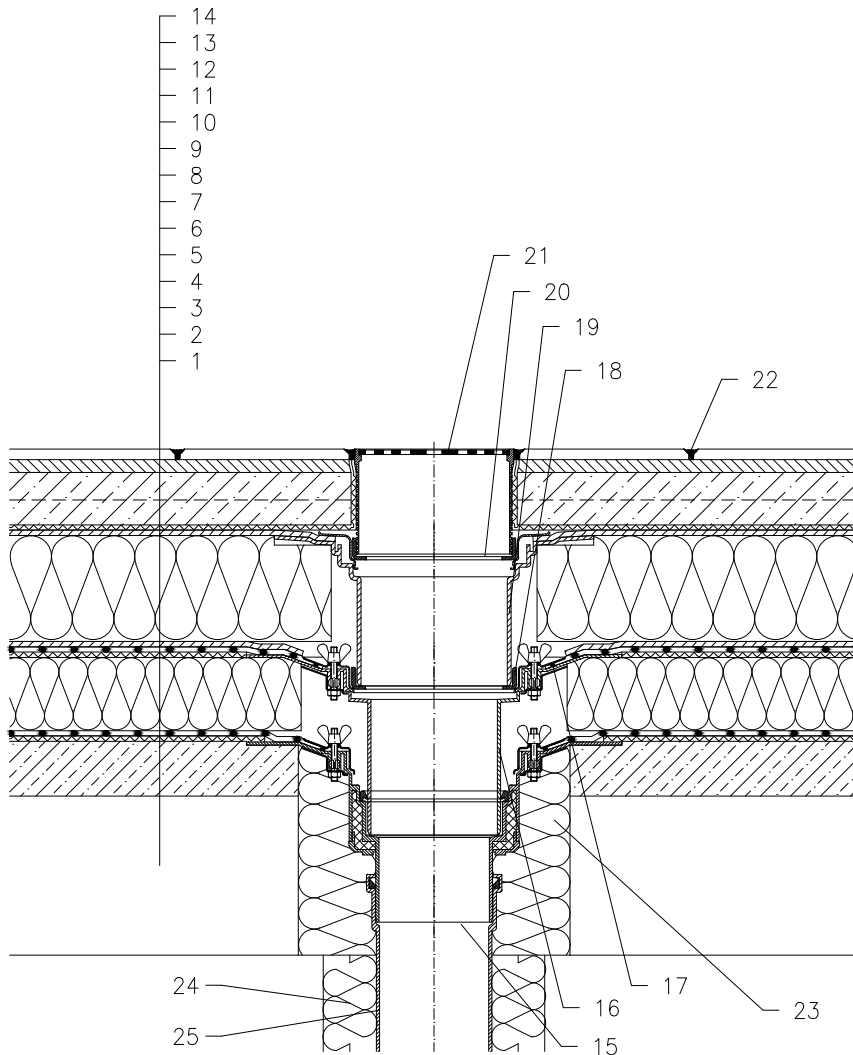


WARM ROOF – WALKABLE, COMBINED STRUCTURE, PLASTIC FOIL WATERPROOFING
PAVEMENT GLUED



- 1 SUPPORT CONSTRUCTION
- 2 GRAVITY LAYER
- 3 DILATATION LAYER
- 4 MOISTURE STOP AND TEMPORARY SAFETY WATERPROOFING FROM PLASTIC FOIL
- 5 THERMAL INSULATION
- 6 DILATATION LAYER
- 7 PLASTIC FOIL WATERPROOFING LAID LOOSE
- 8 DRAINAGE LAYER
- 9 THERMAL INSULATION FROM XPS
- 10 DRAINAGE LAYER
- 11 FILTER LAYER
- 12 CONCRETE SLAB
- 13 MORTAR BED OR GLUE
- 14 PAVEMENT
- 15 FLAT-ROOF DRAIN HL62B WITH INSULATED DRAIN BODY, FLANGE AND STAINLESS STEEL CLAMPING RING, (FOR PVC SHEETINGS FLAT-ROOF DRAIN HL62BP; FOR FPO SHEETINGS BASED ON PP FLAT-ROOF DRAIN HL62BF)
- 16 EXTENSION HL65 WITH FLANGE, STAINLESS STEEL CLAMPING RING AND LIP SEAL, (FOR PVC SHEETINGS FLAT - EXTENSION HL65P; FOR FPO SHEETINGS BASED ON PP FLAT - EXTENSION HL65F)
- 17 SEALING PACKING (SEE DETAIL-ACCESSORIES)
- 18 ADAPTER O62B.3E (INCL. WITH HL62B)
- 19 EXTENSION HL350.0 WITH FLANGE AND WATERPROOFING KIT HL84.0
- 20 ADAPTER O62B.3E
- 21 GRATING HL66.9 WITH STAINLESS STEEL GRATE 150x150 mm CHARGEABLE TO 300 kg (INCL. WITH HL62B)
- 22 JOINT FILLER
- 23 ASSEMBLY FOAM
- 24 DOWNPIPE THERMAL INSULATION
- 25 DOWNPIPE

NOTE:

FLAT-ROOF DRAIN HL62.1B, (FOR PVC SHEETINGS FLAT-ROOF DRAIN HL62.1BP; FOR FPO SHEETINGS BASED ON PP FLAT-ROOF DRAIN HL62.1BF) HEATED (230V, 10-30 WATTS) CAN BE USED.

ASSEMBLY INLET: \varnothing 255 MM, ALTERNATIVELY 255X380 MM

142112