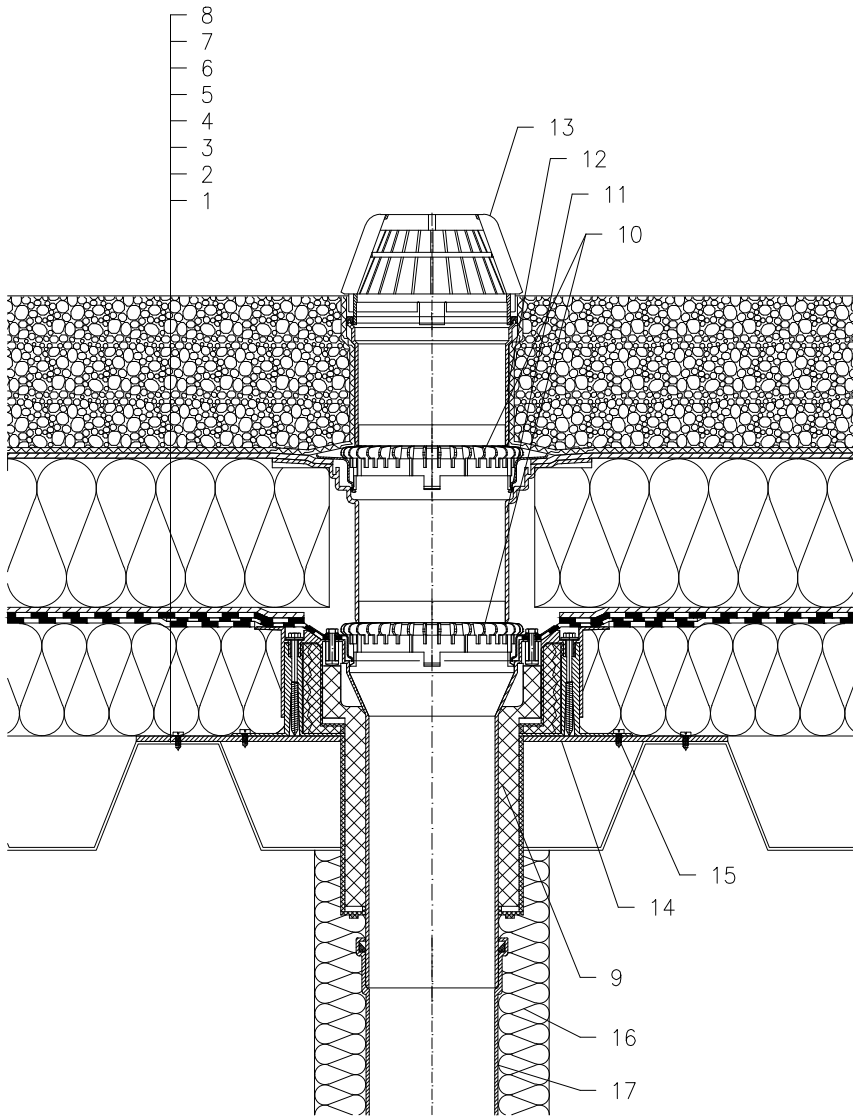


WARM ROOF – LOADED SYSTEM, COMBINED STRUCTURE, WITHOUT MOISTURE STOP,
 TRAPEZOIDAL PLATE SUPPORTING STRUCTURE, BITUMEN SHEET WATERPROOFING



- 1 TRAPEZOIDAL PLATE
- 2 THERMAL INSULATION
- 3 BITUMEN SHEET WATERPROOFING NON-SOLID GLUED OR LAID LOOSE
- 4 DRAINAGE LAYER
- 5 THERMAL INSULATION FROM XPS
- 6 DRAINAGE LAYER
- 7 FILTER LAYER
- 8 STABILIZING LAYER
- 9 FLAT-ROOF DRAIN HL63H DRAINBOX, WITH INSULATED DRAIN BODY, TELESCOPED OUTER-HOUSING FOR PRECISE ADJUSTMENTS TO INSULATIONS 100-160 mm, FACTORY WELDED BITUMEN MEMBRANE \varnothing 500 mm, THICKNESS 4 mm
- 10 GRAVEL GUARD HL160
- 11 EXTENSION HL350.0 WITH FLANGE AND WATERPROOFING KIT HL84.0
- 12 EXTENSION HL350
- 13 DOMED PLASTIC GRATE \varnothing 180 mm (INCL. WITH HL63H)
- 14 MOUNTING METAL PLATE
- 15 ANCHOR BOLT
- 16 DOWNPIPE THERMAL INSULATION
- 17 DOWNPIPE

NOTE:
 FLAT-ROOF DRAIN HL63.1H HEATED (230V, 10-30 WATTS) CAN BE USED.
 ASSEMBLY INLET: \varnothing 255MM, OR. 255X400MM

14121A