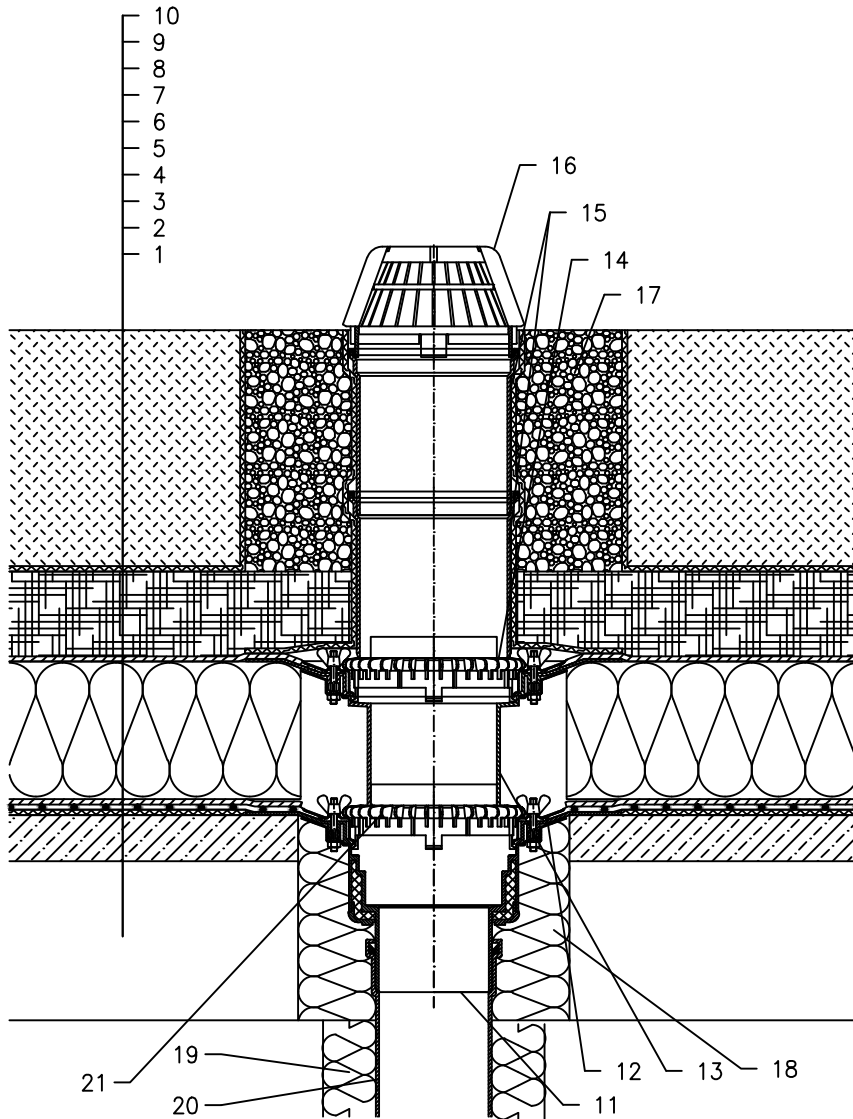


WARM ROOF – GREEN ROOF, REVERSE LAYER ORDER STRUCTURE, PLASTIC FOIL WATERPROOFING  
INTENSIVE GRASSING



- 1 SUPPORT CONSTRUCTION
- 2 GRAVITY LAYER
- 3 DILATATION LAYER
- 4 PLASTIC FOIL WATERPROOFING LAID LOOSE
- 5 DILATATION AND DRAINAGE LAYER
- 6 THERMAL INSULATION FROM XPS
- 7 DRAINAGE LAYER
- 8 WATER ACCUMULATING LAYER
- 9 FILTER LAYER
- 10 VEGETATION LAYER (OVER 200 mm)
- 11 FLAT-ROOF DRAIN HL62 WITH INSULATED DRAIN BODY, FLANGE AND STAINLESS STEEL CLAMPING RING  
(FOR PVC SHEETINGS FLAT –ROOF DRAIN HL62P; FOR FPO SHEETINGS BASED ON PP FLAT –ROOF DRAIN HL62F)
- 12 SEALING PACKING (SEE-ACCESSORIES)
- 13 EXTENSION HL65 WITH FLANGE, STAINLESS STEEL CLAMPING RING
- 14 GRAVEL GUARD HL160
- 15 EXTENSION HL350
- 16 DOMED PLASTIC GRATE  $\varnothing 180$  mm (INCL. WITH HL62)
- 17 GRANULAR FILL
- 18 ASSEMBLY FOAM
- 19 DOWNPIPE THERMAL INSULATION
- 20 DOWNPIPE
- 21 DRAINAGE ELEMENT HL161

NOTE:

FLAT-ROOF DRAIN HL62.1(FOR PVC SHEETINGS FLAT –ROOF DRAIN HL62.1P;  
FOR FPO SHEETINGS BASED ON PP FLAT –ROOF DRAIN HL62.1F)HEATED (230V,  
10-30 WATTS) CAN BE USED.  
ASSEMBLY INLET:  $\varnothing 255$  mm, OR 255 x 380 mm

132322