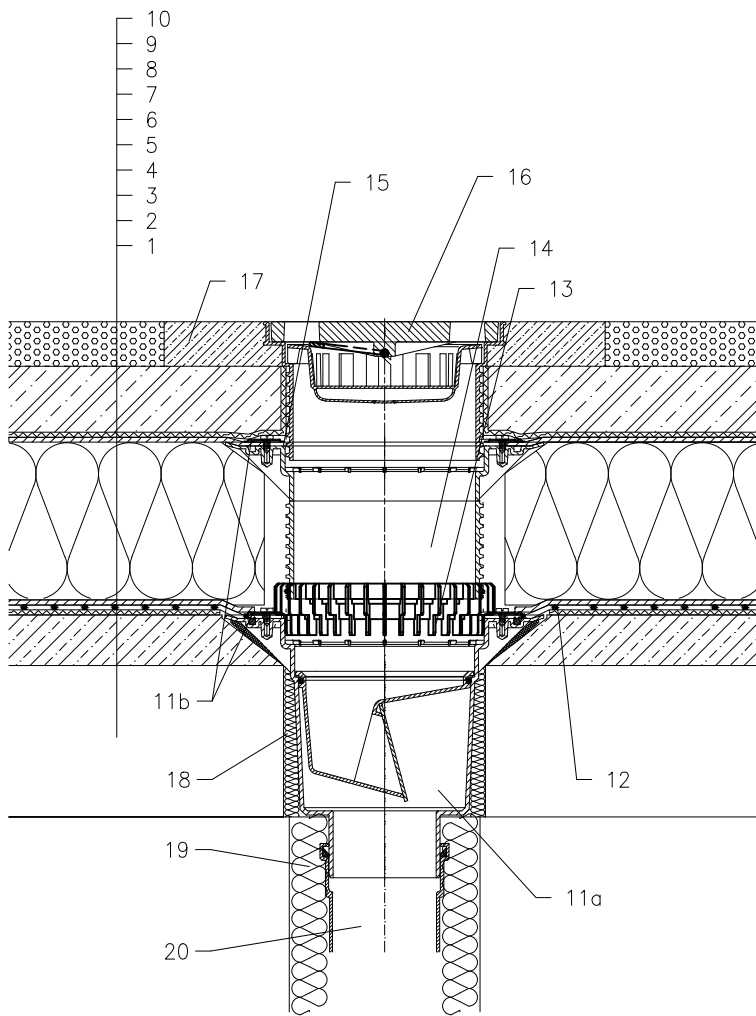


ROOF WITH THERMAL INSULATION – CAR PARK, REVERSE ORDER OF LAYERS, PLASTIC FOIL



- 1 SUPPORT CONSTRUCTION
- 2 CONCRETE GRAVITY LAYER
- 3 SEPARATING AND DILATATION LAYER
- 4 PLASTIC FOIL WATERPROOFING
- 5 SEPARATING AND DRAINAGE LAYER
- 6 XPS THERMAL INSULATION
- 7 DRAINAGE LAYER
- 8 FILTER LAYER
- 9 REINFORCED CONCRETE
- 10 CAST ASPHALT
- 11a TERRACE DRAIN HL616 WITH FROST-PROOF FLAP AND FLANGE
LOAD CLASSIFICATION L15 (MAX 1500 kg)
alternative DRAIN HL616.1, LOAD CLASSIFICATION M125 (MAX 12,5 t)
- 11b SEALING KIT HL86.0 – WITHOUT SHEETING,
- 12 PRE-CUT PART FOR SEALING COLLAR, SEE TOPIC "ATTACHEMENTS"
- 13 DRAINAGE RING HL190
- 14 EXTENSION HL618 WITH FLANGE
INCL. O-RING
- 15 NO TIGHT CONNECTION BECAUSE OF DISCHARGE OF LEAKAGE WATER
- 16 EXTENSION WITH CAST IRON GRATE 226x226 mm
AND PLASTIC FRAME 240x240 mm
(INCLUDED IN HL616)
- 17 CONCRETE 1000x1000x100 mm
- 18 ASSEMBLY FOAM
- 19 DOWNPIPE THERMAL INSULATION
- 20 DOWNPIPE

NOTICE:

TO HEAT THE DRAIN, YOU MAY USE HEATING KIT HL609 WITH SELF-REGULATING HEAT SOURCE 36W/230V. (THE HEATING TAPE MUST BE WRAPPED AROUND THE DRAIN BODY BEFORE INSTALLATION).
RECOMMENDED BOREHOLE DIAMETER IS $\varnothing 290\text{mm}$, OR: $\sphericalangle 290 \times 290\text{mm}$
DURING INSTALLATION TAKE CARE, THAT THE FLANGE POSITION IS ON THE LOWEST LEVEL OF DRAINAGE. WE RECOMMEND, TO SITE IT APPR. 1cm BELOW THE SCREED.
TO AVOID CONDENSATE WATER TAKE CARE OF THERMAL INSULATION ON THE CONSTRUCTION SITE.

13222AY