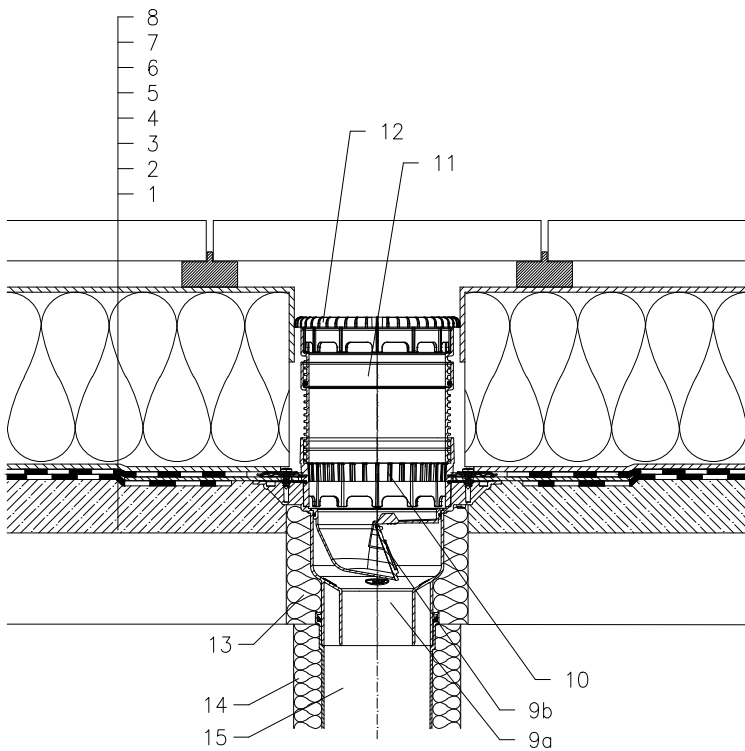


ROOF WITH THERMAL INSULATION – PAVERS ON STANDS, REVERSE ORDER OF LAYERS
BITUMEN SHEETS



- 1 SUPPORT CONSTRUCTION
- 2 CONCRETE GRAVITY LAYER
- 3 BITUMEN SHEET WATERPROOFING
NON SOLID GLUED OR LAID LOOSE
- 4 BITUMEN SHEET WATERPROOFING
- 5 DRAINAGE LAYER
- 6 XPS THERMAL INSULATION
- 7 SEPARATION LAYER
- 8 PAVERS ON STANDS
- 9a DRAIN BODY HL3100THK
WITH BITUMEN MEMBRANE 500x500 mm,
- 9b FROST-PROOF FLAP HL05100.4E
(NOT INCLUDED IN HL3100THK)
- 10 DRAINAGE RING HL150
- 11 EXTENSION HL3400
- 12 FLAT LEAF STRAINER 151 (INCLUDED IN HL3100THK)
- 13 ASSEMBLY FOAM
- 14 DOWNPIPE THERMAL INSULATION
- 15 DOWNPIPE

NOTICE:

TO HEAT THE DRAIN, YOU MAY USE HEATING KIT HKL156 WITH REGULATING HEAT SOURCE 40W/M; 230 V; (APR. 12-14W HEATING TAPE). (THE HEATING TAPE INCL. THERMAL INSULATION MUST BE PULLED ON THE DRAIN BODY BEFORE INSTALLATION)
RECOMMENDED BOREHOLE DIAMETER IS $\varnothing 220\text{mm}$, $\varnothing 220 \times 220\text{mm}$.
DURING INSTALLATION TAKE CARE, THAT THE FLANGE POSITION IS ON THE LOWEST LEVEL OF DRAINAGE. WE RECOMMEND, TO SITE IT APPR. 1cm BELOW THE SCREED.
TO AVOID CONDENSATE WATER TAKE CARE OF THERMAL INSULATION ON THE CONSTRUCTION SITE.

132131BZ