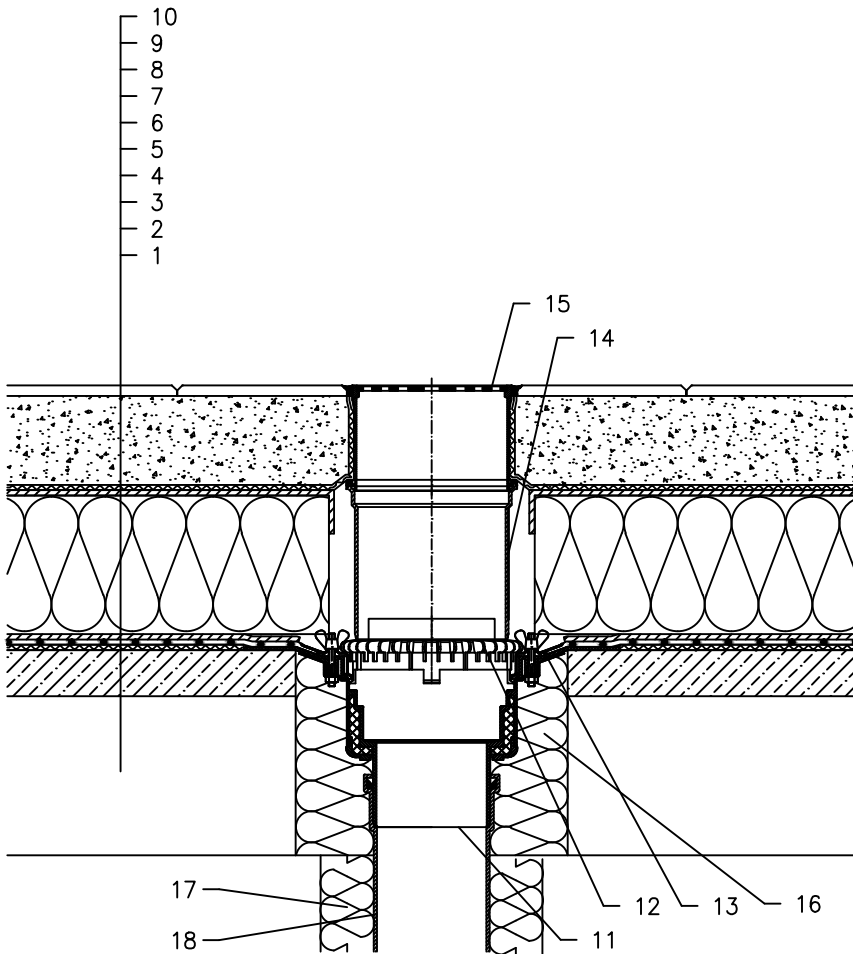


WARM ROOF – WALKABLE, REVERSE LAYER ORDER STRUCTURE, PLASTIC FOIL WATERPROOFING
PAVEMENT IN SAND SUBBASE



- 1 SUPPORT CONSTRUCTION
- 2 GRAVITY LAYER
- 3 DILATATION LAYER
- 4 PLASTIC FOIL WATERPROOFING LAID LOOSE
- 5 DILATATION AND DRAINAGE LAYER
- 6 THERMAL INSULATION FROM XPS
- 7 DRAINAGE LAYER
- 8 FILTER LAYER
- 9 SAND SUBBASE
- 10 PAVEMENT
- 11 FLAT-ROOF DRAIN HL62B WITH INSULATED DRAIN BODY, FLANGE AND STAINLESS STEEL CLAMPING RING
(FOR PVC SHEETINGS FLAT -ROOF DRAIN HL62BP; FOR FPO SHEETINGS BASED ON PP FLAT -ROOF DRAIN HL62BF)
- 12 GRAVEL GUARD HL160
- 13 SEALING PACKING (SEE-ACCESSORIES)
- 14 EXTENSION HL350
- 15 GRATING HL66.9 WITH STAINLESS STEEL GRATE 150x150 mm CHARGEABLE TO 300 kg (INCL. WITH HL62B)
- 16 ASSEMBLY FOAM
- 17 DOWNPIPE THERMAL INSULATION
- 18 DOWNPIPE

NOTE:

FLAT-ROOF DRAIN HL62.1B (FOR PVC SHEETINGS FLAT -ROOF DRAIN HL62.1BP;
FOR FPO SHEETINGS BASED ON PP FLAT -ROOF DRAIN HL62.1BF) HEATED (230V,
10-30 WATTS) CAN BE USED.

ASSEMBLY INLET: \varnothing 255 mm, OR 255 x 380 mm

132122B