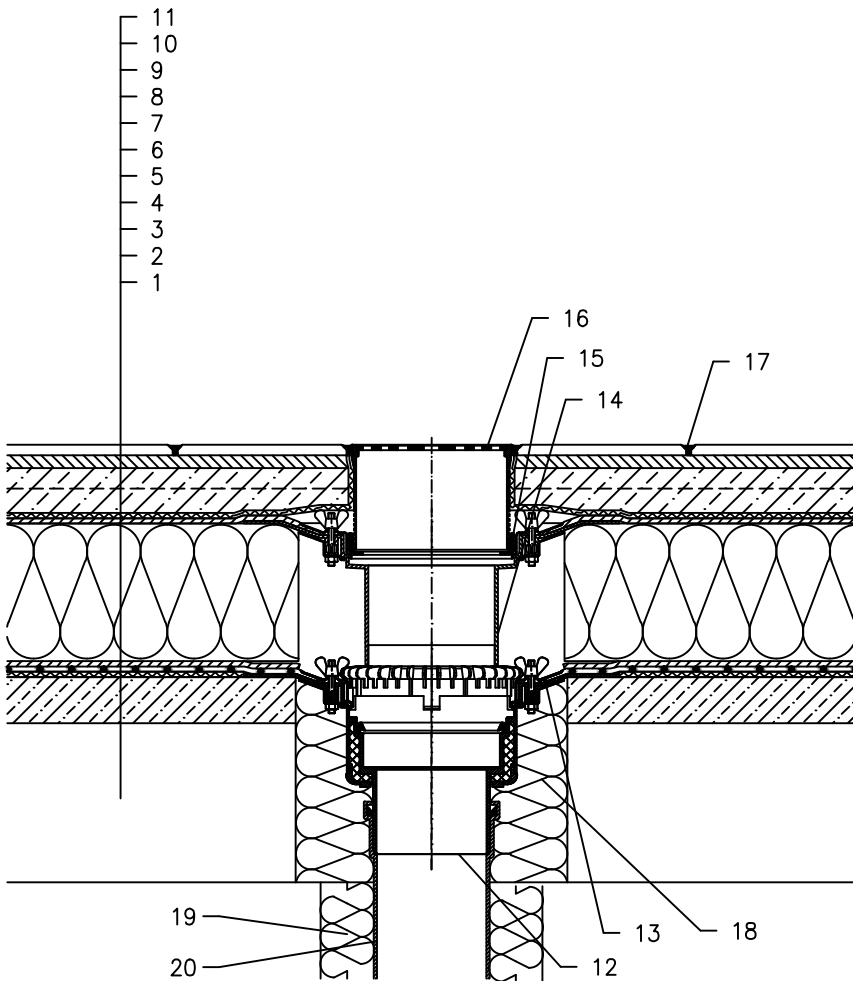


WARM ROOF – WALKABLE, REVERSE LAYER ORDER STRUCTURE, PLASTIC FOIL WATERPROOFING
PAVEMENT GLUED



- 1 SUPPORT CONSTRUCTION
- 2 GRAVITY LAYER
- 3 DILATATION LAYER
- 4 PLASTIC FOIL WATERPROOFING LAID LOOSE
- 5 DILATATION AND DRAINAGE LAYER
- 6 THERMAL INSULATION FROM XPS
- 7 DRAINAGE LAYER
- 8 FILTER LAYER
- 9 CONCRETE SLAB
- 10 MORTAR BED OR GLUE
- 11 PAVEMENT
- 12 FLAT-ROOF DRAIN HL62B WITH INSULATED DRAIN BODY, FLANGE AND STAINLESS STEEL CLAMPING RING (FOR PVC SHEETINGS FLAT -ROOF DRAIN HL62BP; FOR FPO SHEETINGS BASED ON PP FLAT -ROOF DRAIN HL62BF)
- 13 SEALING PACKING (SEE-ACCESSORIES)
- 14 EXTENSION HL65 WITH FLANGE, STAINLESS STEEL CLAMPING RING (FOR PVC SHEETINGS FLAT -EXTENSION HL65P; FOR FPO SHEETINGS BASED ON PP FLAT -EXTENSION HL65F)
- 15 ADAPTER 062B.3E (INCL. WITH HL62B)
- 16 GRATING HL66.9 WITH STAINLESS STEEL GRATE 150x150 mm CHARGEABLE TO 300 kg (INCL. WITH HL62B)
- 17 JOINT FILLER
- 18 ASSEMBLY FOAM
- 19 DOWNPIPE THERMAL INSULATION
- 20 DOWNPIPE

NOTE:

FLAT-ROOF DRAIN HL62.1B (FOR PVC SHEETINGS FLAT -ROOF DRAIN HL62.1BP;
FOR FPO SHEETINGS BASED ON PP FLAT -ROOF DRAIN HL62.1BF) HEATED (230V,
10-30 WATTS) CAN BE USED.

ASSEMBLY INLET: \varnothing 255 mm, OR 255 x 380 mm

132112