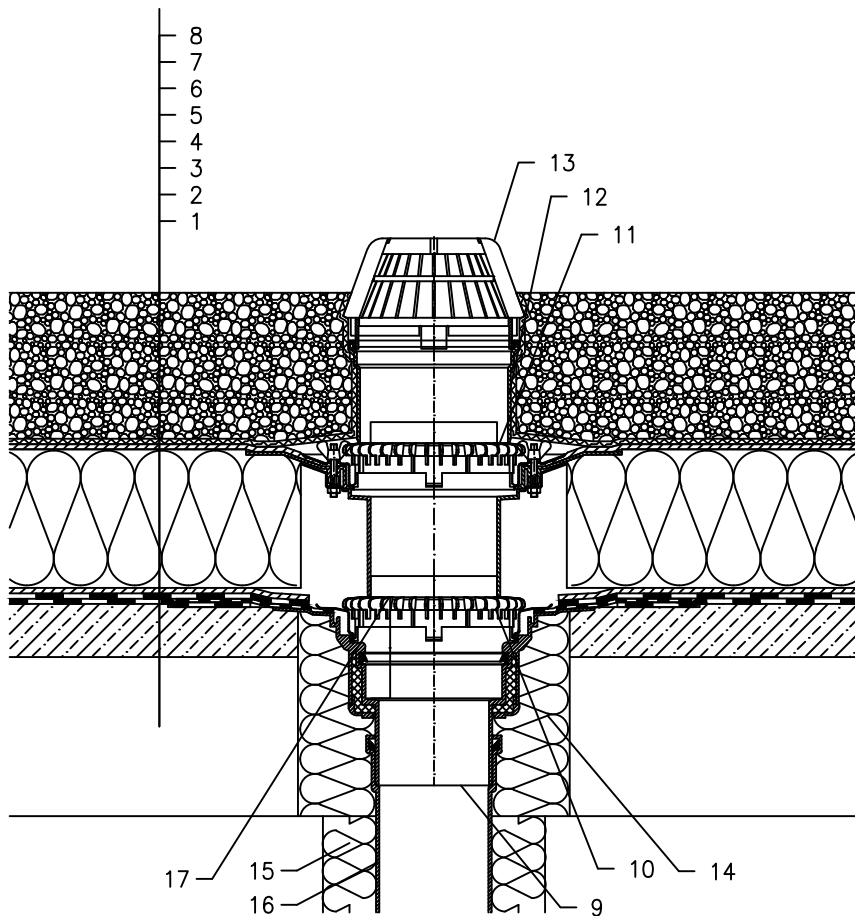


WARM ROOF – LOADED SYSTEM, REVERSE LAYER ORDER STRUCTURE
BITUMEN SHEET WATERPROOFING



- 1 SUPPORT CONSTRUCTION
- 2 GRAVITY LAYER
- 3 BITUMEN SHEET WATERPROOFING NON-SOLID GLUED OR LAID LOOSE
- 4 DRAINAGE LAYER
- 5 THERMAL INSULATION FROM XPS
- 6 DRAINAGE LAYER
- 7 FILTER LAYER
- 8 STABILIZING LAYER
- 9 FLAT-ROOF DRAIN HL62H WITH INSULATED DRAIN BODY, WITH FACTORY WELDED BITUMEN MEMBRANE \varnothing 500 mm, THICKNESS 4 mm
- 10 EXTENSION HL65 WITH FLANGE, STAINLESS STEEL CLAMPING RING
- 11 GRAVEL GUARD HL160
- 12 EXTENSION HL350
- 13 DOMED PLASTIC GRATE \varnothing 180 mm (INCL. WITH HL62H)
- 14 ASSEMBLY FOAM
- 15 DOWNPIPE THERMAL INSULATION
- 16 DOWNPIPE
- 17 DRAINAGE ELEMENT HL161

NOTE:
FLAT-ROOF DRAIN HL62.1H HEATED (230V, 10-30 WATTS) CAN BE USED.
ASSEMBLY INLET: \varnothing 255 mm, OR 255 x 380 mm