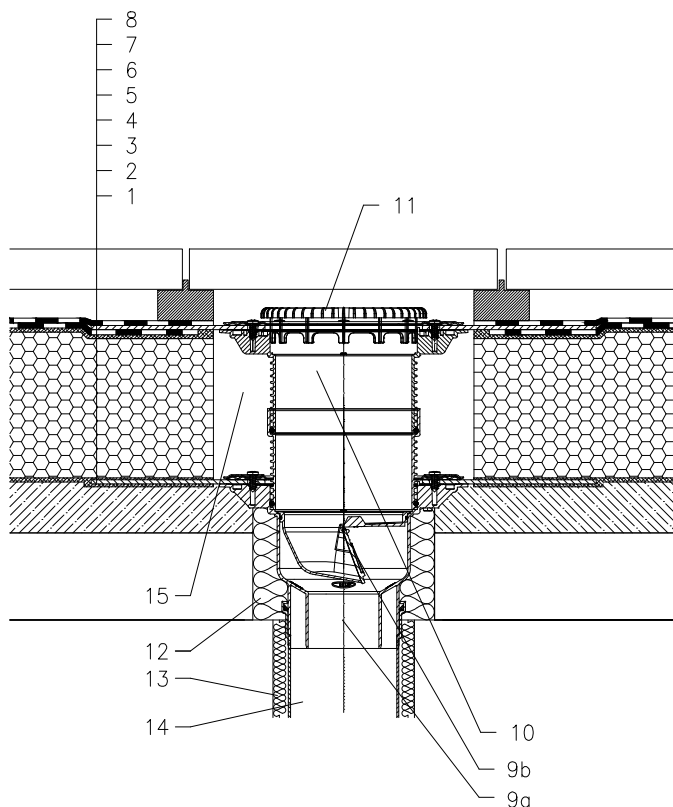


ROOF WITH THERMAL INSULATION – COMPACT ROOF BITUMEN SHEETS
TERRACE, PAVEMENT ON STANDS



- 1 SUPPORT CONSTRUCTION
- 2 CONCRETE GRAVITY LAYER
- 3 HOT BITUMEN
- 4 THERMAL INSULATION – FOAMED GLASS
- 5 HOT BITUMEN
- 6 BITUMEN SHEET WATERPROOFING
- 7 BITUMEN SHEET WATERPROOFING
- 8 PAVEMENT ON STANDS
- 9a DRAIN BODY HL3100THK
WITH BITUMEN MEMBRANE 500x500 mm,
- 9b FROST-PROOF FLAP HL05100.4E
(NOT INCLUDED IN HL3100THK)
- 10 EXTENSION HL8500H WITH BITUMEN MEMBRANE
500x500 mm; INCL. O-RING, (HL3400)
- 11 FLAT LEAF STRAINER HL151
(INCLUDED IN HL3100THK)
- 12 ASSEMBLY FOAM
- 13 DOWNPIPE THERMAL INSULATION
- 14 DOWNPIPE
- 15 FILL FREE SPACE WITH MINERAL WOOL

NOTICE:

TO HEAT THE DRAIN, YOU MAY USE HEATING KIT HKL156 WITH REGULATING HEAT SOURCE 40W/M; 230 V; (APR. 12-14W HEATING TAPE). (THE HEATING TAPE INCL. THERMAL INSULATION MUST BE PULLED ON THE DRAIN BODY BEFORE INSTALLATION)
RECOMMENDED BOREHOLE DIAMETER IS $\varnothing 220\text{mm}$, $\varnothing 220 \times 220\text{mm}$.
DURING INSTALLATION TAKE CARE, THAT THE FLANGE POSITION IS ON THE LOWEST LEVEL OF DRAINAGE. WE RECOMMEND, TO SITE IT APPR. 1cm BELOW THE SCREED.
TO AVOID CONDENSATE WATER TAKE CARE OF THERMAL INSULATION ON THE CONSTRUCTION SITE.

122131BZ