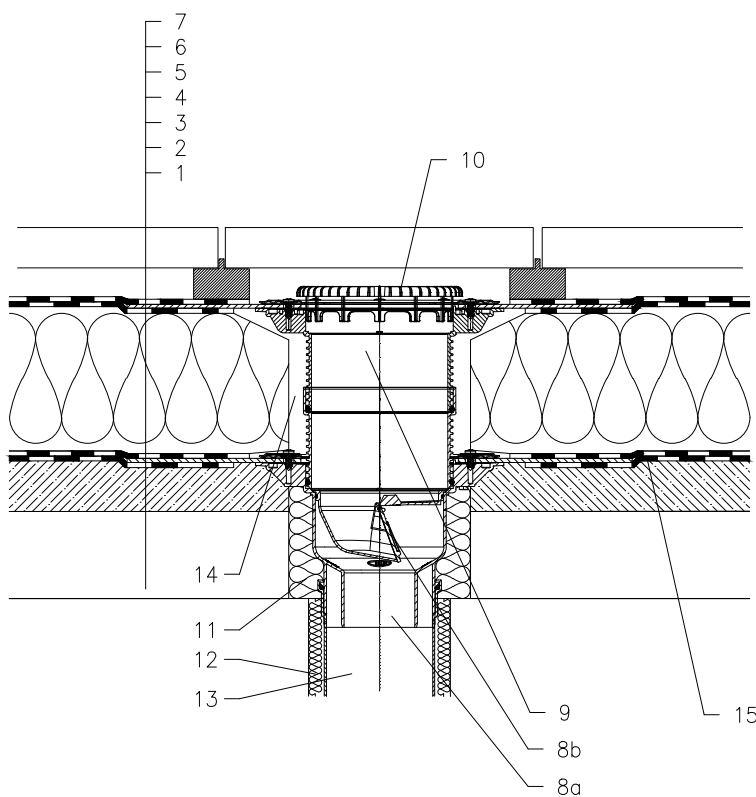


ROOF WITH THERMAL INSULATION – CLASSICAL LAYERS, BITUMEN SHEETS  
TERRACE, PAVEMENT ON STANDS



- 1 SUPPORT CONSTRUCTION
- 2 CONCRETE GRAVITY LAYER
- 3 MOISTURE STOP AND TEMPORARY SAFETY WATERPROOFING FROM BITUMEN SHEET
- 4 THERMAL INSULATION
- 5 BITUMEN SHEET WATERPROOFING NON SOLID GLUED OR LAID LOOSE
- 6 BITUMEN SHEET WATERPROOFING
- 7 PAVEMENT ON STANDS
- 8a DRAIN BODY HL3100THK WITH BITUMEN MEMBRANE 500x500 mm,
- 8b FROST-PROOF FLAP HL05100.4E (NOT INCLUDED IN HL3100THK)
- 9 EXTENSION HL8500H WITH BITUMEN MEMBRANE 500x500 mm; INCL. O-RING, (HL3400)
- 10 FLAT LEAF STRAINER HL151 (INCLUDED IN HL3100THK)
- 11 ASSEMBLY FOAM
- 12 DOWNPIPE THERMAL INSULATION
- 13 DOWNPIPE
- 14 FILL FREE SPACE WITH MINERAL WOOL
- 15 BITUMEN MEMBRANE  $\phi$ 750 mm

NOTICE:

TO HEAT THE DRAIN, YOU MAY USE HEATING KIT HKL156 WITH REGULATING HEAT SOURCE 40W/M; 230 V; (APR. 12-14W HEATING TAPE). (THE HEATING TAPE INCL. THERMAL INSULATION MUST BE PULLED ON THE DRAIN BODY BEFORE INSTALLATION)  
RECOMMENDED BOREHOLE DIAMETER IS  $\phi$ 220mm,  $\approx$ 220x220mm.  
DURING INSTALLATION TAKE CARE, THAT THE FLANGE POSITION IS ON THE LOWEST LEVEL OF DRAINAGE. WE RECOMMEND, TO SITE IT APPR. 1cm BELOW THE SCREED.  
TO AVOID CONDENSATE WATER TAKE CARE OF THERMAL INSULATION ON THE CONSTRUCTION SITE.

122131AZ