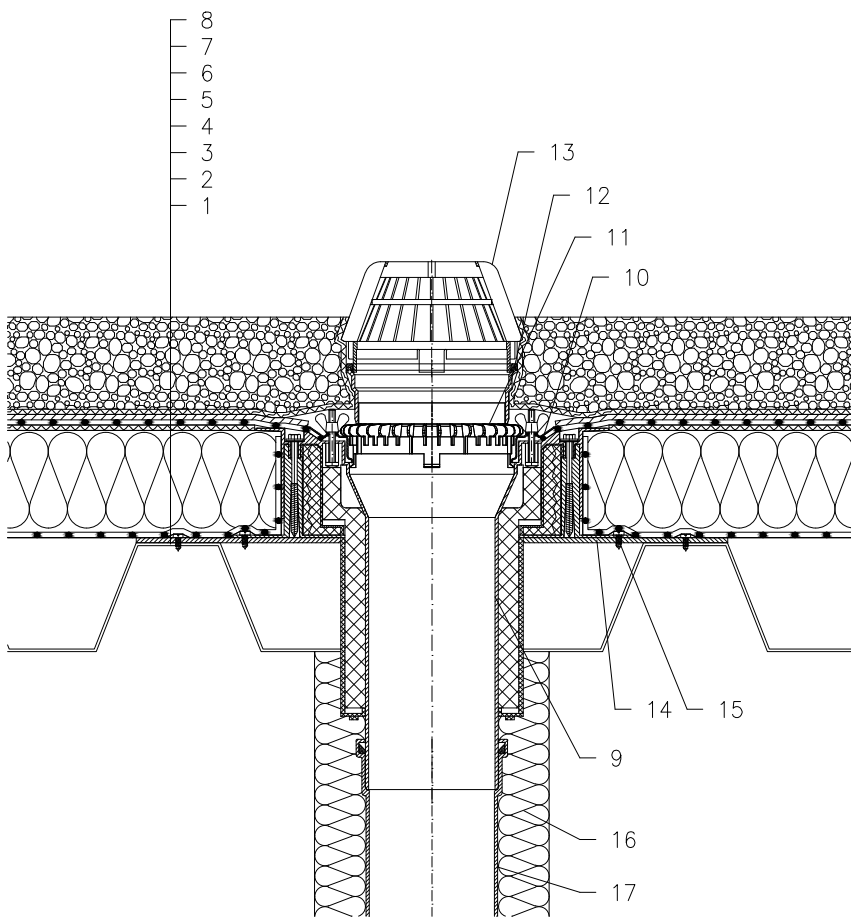


WARM ROOF – LOADED SYSTEM, CLASSICAL STRUCTURE, WITH MOISTURE STOP,  
 TRAPEZOIDAL PLATE SUPPORTING STRUCTURE, PLASTIC FOIL WATERPROOFING



- 1 TRAPEZOIDAL PLATE
- 2 MOISTURE STOP (GLUED INTO DRAIN OUTER-HOUSING)
- 3 THERMAL INSULATION
- 4 DILATATION LAYER
- 5 PLASTIC FOIL WATERPROOFING LAID LOOSE
- 6 DRAINAGE LAYER
- 7 FILTER LAYER
- 8 STABILIZING LAYER
- 9 FLAT-ROOF DRAIN HL63 DRAINBOX, WITH INSULATED DRAIN BODY, TELESCOPED OUTER-HOUSING FOR PRECISE ADJUSTMENTS TO INSULATIONS 100-160 mm, FLANGE AND STAINLESS STEEL CLAMPING RING (FOR PVC SHEETINGS FLAT -ROOF DRAIN HL63P)
- 10 SEALING PACKING (SEE DETAIL-ACCESSORIES)
- 11 GRAVEL GUARD HL160
- 12 EXTENSION HL350
- 13 DOMED PLASTIC GRATE  $\varnothing 180$  mm (INCL. WITH HL63)
- 14 MOUNTING METAL PLATE
- 15 ANCHOR BOLT
- 16 DOWNPIPE THERMAL INSULATION
- 17 DOWNPIPE

NOTE:

FLAT-ROOF DRAIN HL63.1 (FOR PVC SHEETINGS FLAT -ROOF DRAIN HL63.1P)  
 HEATED (230V, 10-30 WATTS) CAN BE USED.  
 ASSEMBLY INLET:  $\varnothing 255$  mm, OR 255x400 mm

121223C