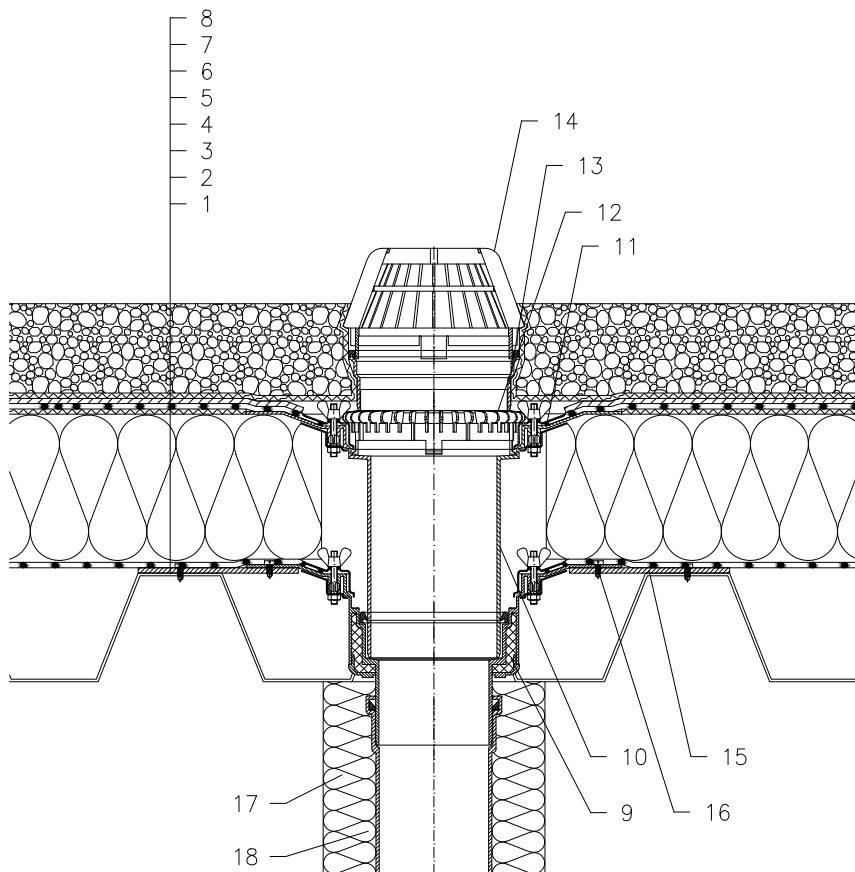


WARM ROOF – LOADED SYSTEM, CLASSICAL STRUCTURE, WITH MOISTURE STOP,
 TRAPEZOIDAL PLATE SUPPORTING STRUCTURE, PLASTIC FOIL WATERPROOFING



- 1 TRAPEZOIDAL PLATE
- 2 MOISTURE STOP AND TEMPORARY SAFETY WATERPROOFING FROM PLASTIC FOIL
- 3 THERMAL INSULATION
- 4 DILATATION LAYER
- 5 PLASTIC FOIL WATERPROOFING LAID LOOSE
- 6 DRAINAGE LAYER
- 7 FILTER LAYER
- 8 STABILIZING LAYER
- 9 FLAT-ROOF DRAIN HL62 WITH INSULATED DRAIN BODY, FLANGE AND STAINLESS STEEL CLAMPING RING
 (FOR PVC SHEETINGS FLAT –ROOF DRAIN HL62P;
 FOR FPO SHEETINGS BASED ON PP FLAT –ROOF DRAIN HL62F)
- 10 EXTENSION HL65 WITH FLANGE, STAINLESS STEEL CLAMPING RING AND LIP SEAL
 (FOR PVC SHEETINGS FLAT –EXTENSION HL65P;
 FOR FPO SHEETINGS BASED ON PP FLAT –EXTENSION HL65F)
- 11 SEALING PACKING (SEE DETAIL-ACCESSORIES)
- 12 GRAVEL GUARD HL160
- 13 AUFSTOCKELEMENT HL350
- 14 DOMED PLASTIC GRATE $\varnothing 180$ mm (INCL. WITH HL62)
- 15 MOUNTING METAL PLATE
- 16 ANCHOR BOLT
- 17 DOWNPIPE THERMAL INSULATION
- 18 DOWNPIPE

NOTE:

FLAT-ROOF DRAIN HL62.1(FOR PVC SHEETINGS FLAT –ROOF DRAIN HL62.1P;
 FOR FPO SHEETINGS BASED ON PP FLAT –ROOF DRAIN HL62.1F)
 HEATED (230V, 10–30 WATTS) CAN BE USED.
 ASSEMBLY INLET: $\varnothing 255$ mm, OR 255 x 380 mm

121223B