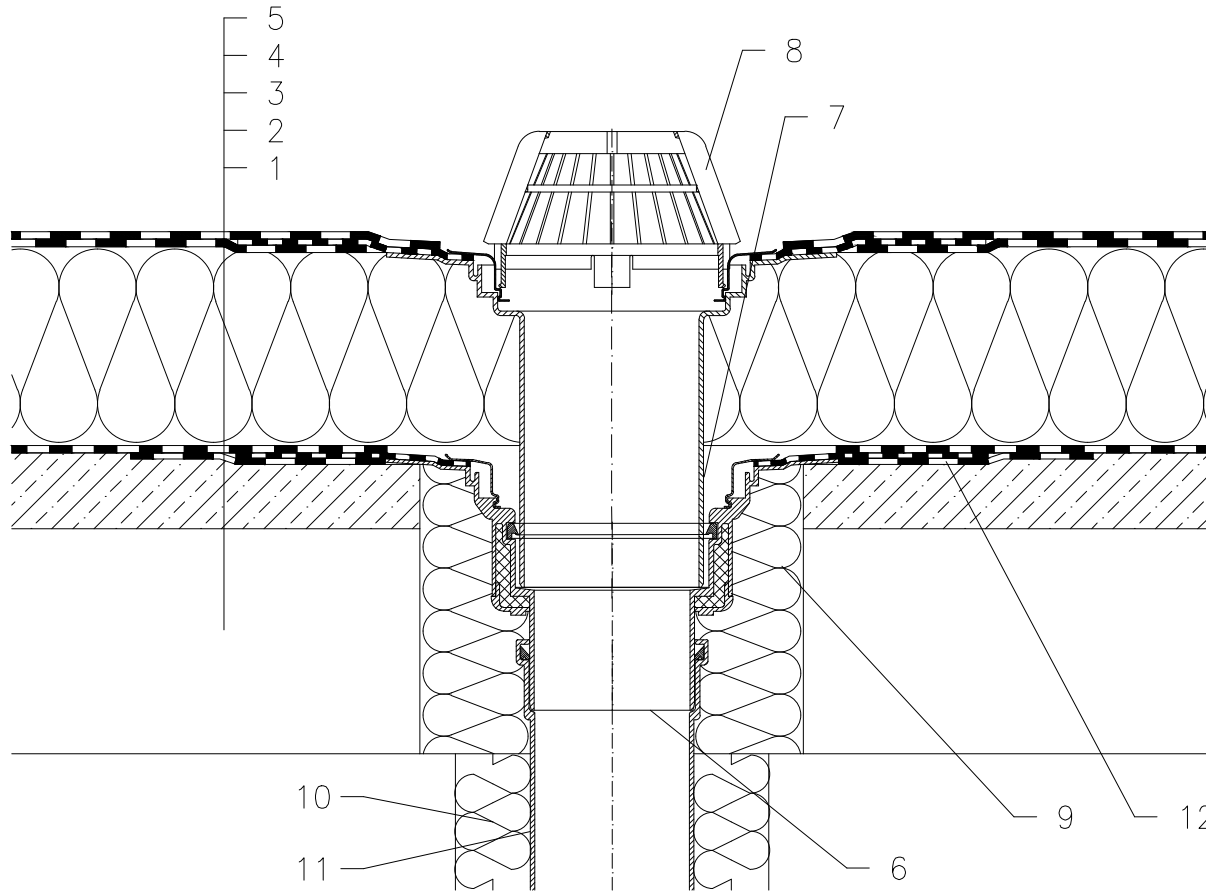


WARM ROOF – GLUED SYSTEM, CLASSICAL STRUCTURE, WITH MOISTURE STOP,
CONCRETE SUPPORTING STRUCTURE, BITUMEN SHEET WATERPROOFING



- 1 SUPPORT CONSTRUCTION
- 2 GRAVITY LAYER
- 3 DILATATION LAYER AND MOISTURE STOP FROM BITUMEN SHEET
- 4 THERMAL INSULATION
- 5 BITUMEN SHEET WATERPROOFING GLUED
- 6 FLAT-ROOF DRAIN HL62H WITH INSULATED DRAIN BODY, WITH FACTORY WELDED BITUMEN MEMBRANE ϕ 500 mm, THICKNESS 4 mm
- 7 EXTENSION HL65H WITH FLANGE AND FACTORY WELDED BITUMEN MEMBRANE ϕ 500 mm, THICKNESS 4 mm
- 8 DOMED PLASTIC GRATE ϕ 180 mm (INCL. WITH HL62H)
- 9 ASSEMBLY FOAM
- 10 DOWNPIPE THERMAL INSULATION
- 11 DOWNPIPE
- 12 BITUMEN MEMBRANE, ϕ 750 mm

NOTE:

FLAT-ROOF DRAIN HL62.1H HEATED (230V, 10-30 WATTS) CAN BE USED.

ASSEMBLY INLET: ALTERNATIVELY ϕ 255 mm, OR 255x380 mm

121111A