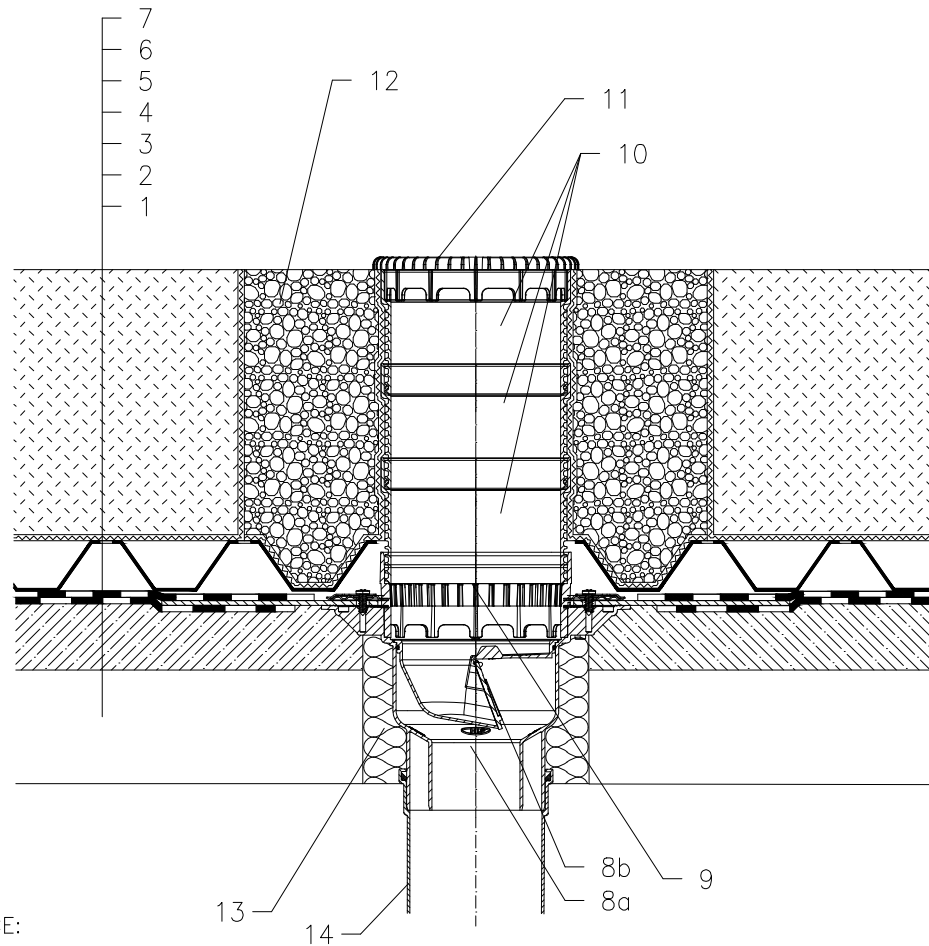


ROOFS WITHOUT THERMAL INSULATION – INTENSIVE GRASSING, BITUMEN SHEETS



- 1 SUPPORT CONSTRUCTION
- 2 CONCRETE GRAVITY LAYER
- 3 BITUMEN SHEET WATERPROOFING
NON SOLID GLUED OR LAID LOOSE
- 4 BITUMEN SHEET WATERPROOFING
- 5 WATER ACCUMULATING AND DRAINAGE LAYER
- 6 FILTER LAYER
- 7 VEGETATION LAYER (OVER 200mm)
- 8a ROOF DRAIN HL3100THK
WITH BITUMEN MEMBRANE 500x500 mm
- 8b FROST-PROOF FLAP HL05100.4E
(NOT INCLUDED IN HL3100THK)
- 9 DRAINAGE RING HL150
- 10 EXTENSION HL3400
- 11 FLAT LEAF STRAINER 151
(INCLUDED IN HL3100THK)
- 12 GRANULAR FILL
- 13 ASSEMBLY FOAM
- 14 DOWNPIPE

NOTICE:

TO HEAT THE DRAIN, YOU MAY USE HEATING KIT HKL156 WITH REGULATING HEAT SOURCE 40W/M; 230 V; (APR. 12-14W HEATING TAPE). (THE HEATING TAPE INCL. THERMAL INSULATION MUST BE PULLED ON THE DRAIN BODY BEFORE INSTALLATION)
RECOMMENDED BOREHOLE DIAMETER IS $\varnothing 220\text{mm}$, $\square 220 \times 220\text{mm}$.
DURING INSTALLATION TAKE CARE, THAT THE FLANGE POSITION IS ON THE LOWEST LEVEL OF DRAINAGE. WE RECOMMEND, TO SITE IT APPR. 1cm BELOW THE SCREED.
TO AVOID CONDENSATE WATER TAKE CARE OF THERMAL INSULATION ON THE CONSTRUCTION SITE.

112321Z