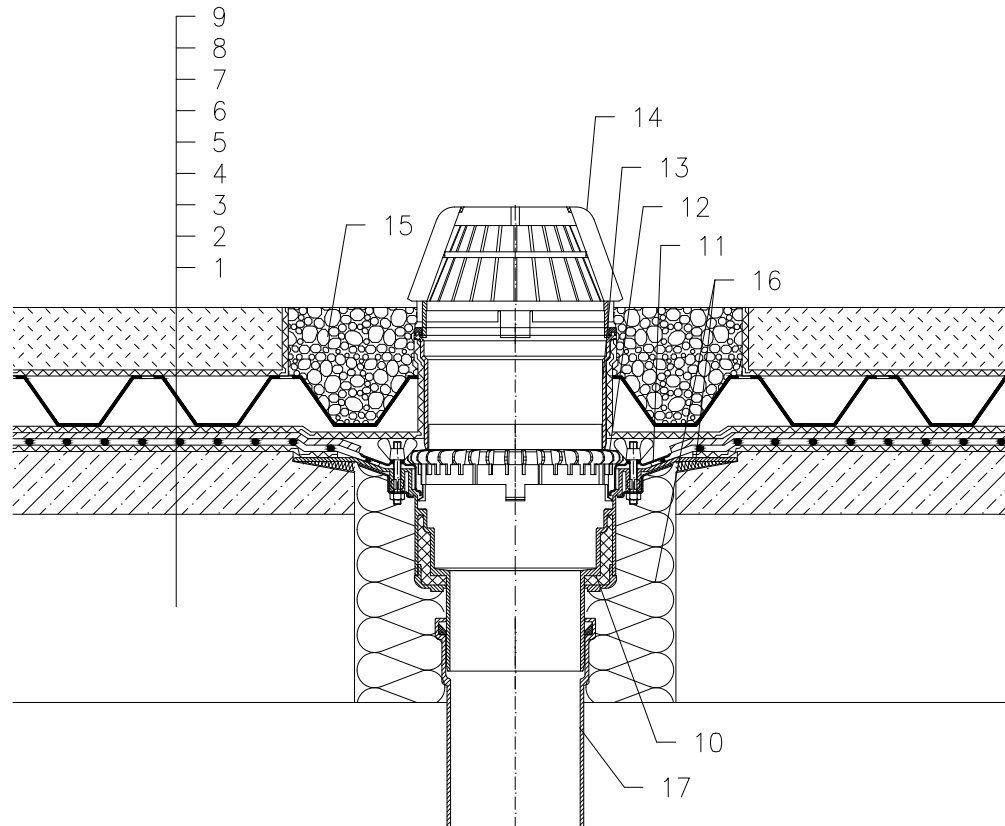


NON-INSULATED – GREEN ROOF, PLASTIC FOIL WATERPROOFING
EXTENSIVE GRASSING



- 1 SUPPORT CONSTRUCTION
- 2 GRAVITY LAYER
- 3 DILATATION LAYER
- 4 PLASTIC FOIL WATERPROOFING WITH FLL CERTIFICATE
- 5 DRAINAGE LAYER
- 6 FILTER LAYER
- 7 WATER ACCUMULATING LAYER
- 8 FILTER LAYER
- 9 VEGETATION LAYER (UNDER 200 mm)
- 10 FLAT-ROOF DRAIN HL62 WITH INSULATED DRAIN BODY, FLANGE AND STAINLESS STEEL CLAMPING RING, (FOR PVC SHEETINGS FLAT-ROOF DRAIN HL62P; FOR FPO SHEETINGS BASED ON PP FLAT-ROOF DRAIN HL62F)
- 11 SEALING PACKING, (SEE ACCESSORIES)
- 12 GRAVEL GUARD HL160
- 13 EXTENSION HL350
- 14 DOMED PLASTIC GRATE $\varnothing 180$ mm (INCL. WITH HL62)
- 15 GRANULAR FILL
- 16 ASSEMBLY FOAM
- 17 DOWNPIPE

NOTE:

FLAT-ROOF DRAIN HL62.1, (FOR PVC SHEETINGS FLAT-ROOF DRAIN HL62.1P; FOR FPO SHEETINGS BASED ON PP FLAT-ROOF DRAIN HL62.1F) HEATED (230V, 10-30 WATTS) CAN BE USED.
ASSEMBLY INLET: $\varnothing 255$ MM, ALTERNATIVELY 255X380 MM

112312