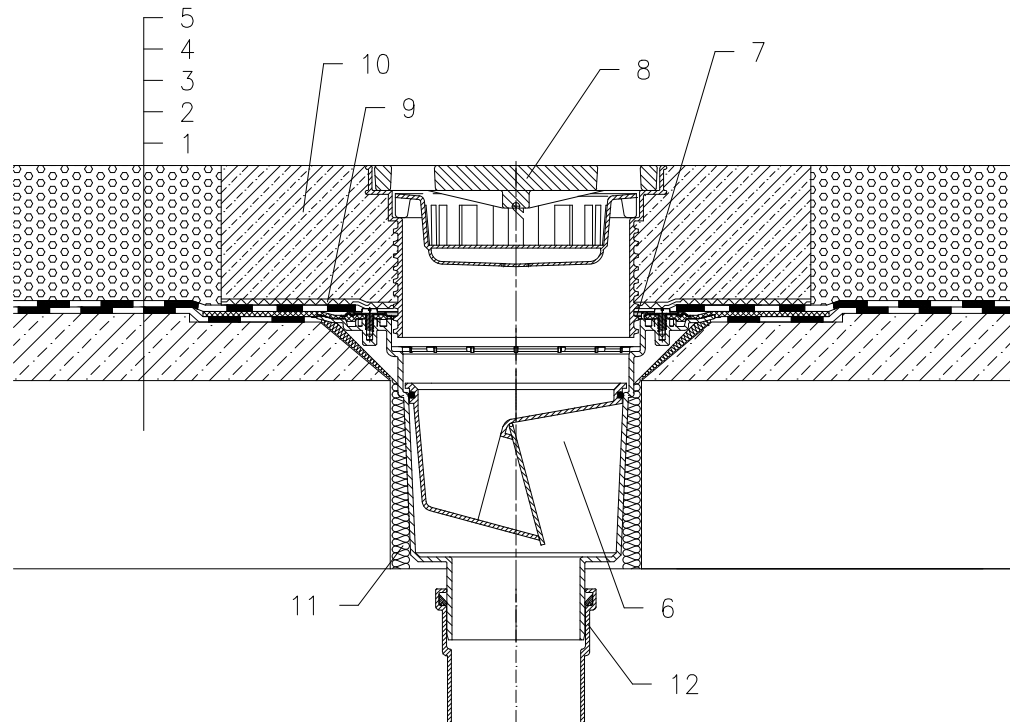


ROOFS WITHOUT THERMAL INSULATION – CAR PARK, COMPACT ROOF VARIANT, BITUMEN SHEETS



- 1 SUPPORT CONSTRUCTION
- 2 CONCRETE GRAVITY LAYER
- 3 BITUMEN SHEET WATERPROOFING
NON SOLID GLUED OR LAID LOOSE
- 4 BITUMEN SHEET WATERPROOFING
- 5 CAST ASPHALT
- 6 TERRACE DRAIN HL616H WITH FROST-PROOF FLAP
AND BITUMEN MEMBRANE
LOAD CLASSIFICATION L15 (MAX 1500 kg)
alternative DRAIN HL616.1H, LOAD CLASSIFICATION M125 (MAX 12,5 t)
- 7 NO TIGHT CONNECTION BECAUSE OF DISCHARGE OF LEAKAGE WATER
- 8 EXTENSION WITH CAST IRON GRATE 226x226 mm
AND PLASTIC FRAME 240x240 mm
(INCLUDED IN HL616H)
- 9 SEPARATING LAYER
- 10 CONCRETE 1000x1000x100 mm
- 11 ASSEMBLY FOAM
- 12 DOWNPIPE

NOTICE:

TO HEAT THE DRAIN, YOU MAY USE HEATING KIT HL609 WITH SELF-REGULATING HEAT SOURCE 36W/230V. (THE HEATING TAPE MUST BE WRAPPED AROUND THE DRAIN BODY BEFORE INSTALLATION).

RECOMMENDED BOREHOLE DIAMETER IS $\varnothing 290\text{mm}$, OR: $\sphericalangle 290 \times 290\text{mm}$
DURING INSTALLATION TAKE CARE, THAT THE FLANGE POSITION IS ON THE LOWEST LEVEL OF DRAINAGE. WE RECOMMEND, TO SITE IT APPR. 1cm BELOW THE SCREED.
TO AVOID CONDENSATE WATER TAKE CARE OF THERMAL INSULATION ON THE CONSTRUCTION SITE.

11222Y