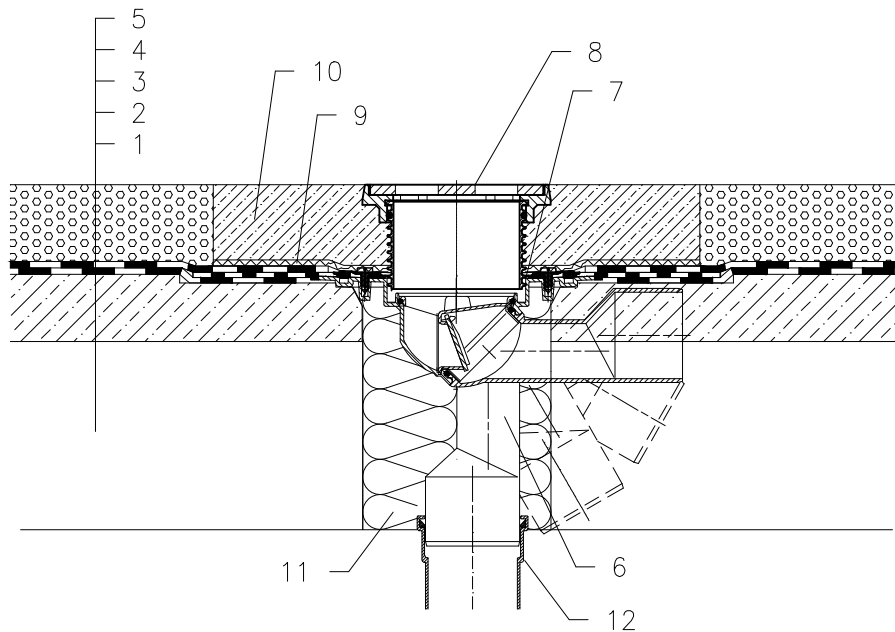


ROOFS WITHOUT THERMAL INSULATION – CAR PARK, COMPACT ROOF VARIANT, BITUMEN SHEETS



- 1 SUPPORT CONSTRUCTION
- 2 CONCRETE GRAVITY LAYER
- 3 BITUMEN SHEET WATERPROOFING
NON SOLID GLUED OR LAID LOOSE
- 4 BITUMEN SHEET WATERPROOFING
- 5 CAST ASPHALT
- 6 TERRACE DRAIN HL81GH WITH FROST-PROOF FLAP
WITH BITUMEN MEMBRANE $\varnothing 400$ mm,
LOAD CLASSIFICATION L15 (MAX 1500 kg)
- 7 NO TIGHT CONNECTION BECAUSE OF DISCHARGE OF LEAKAGE WATER
- 8 EXTENSION WITH CAST IRON GRATE 137x137 mm
AND CAST IRON FRAME 150x150 mm
(INCLUDED IN HL81GH)
- 9 SEPARATING LAYER
- 10 CONCRETE 1000x1000x100 mm
- 11 ASSEMBLY FOAM
- 12 DOWNPIPE

NOTICE:

TO HEAT THE DRAIN, YOU MAY USE HEATING KIT HL82 WITH SELF-REGULATING HEAT SOURCE 18W/220V. (THE HEATING TAPE MUST BE WRAPPED AROUND THE DRAIN BODY BEFORE INSTALLATION).
RECOMMENDED BOREHOLE DIAMETER IS $\varnothing 185$ mm, $\square 185 \times 185$ mm.
DURING INSTALLATION TAKE CARE, THAT THE FLANGE POSITION IS ON THE LOWEST LEVEL OF DRAINAGE. WE RECOMMEND, TO SITE IT APPR. 1cm BELOW THE SCREED.
TO AVOID CONDENSATE WATER TAKE CARE OF THERMAL INSULATION ON THE CONSTRUCTION SITE.

11222X