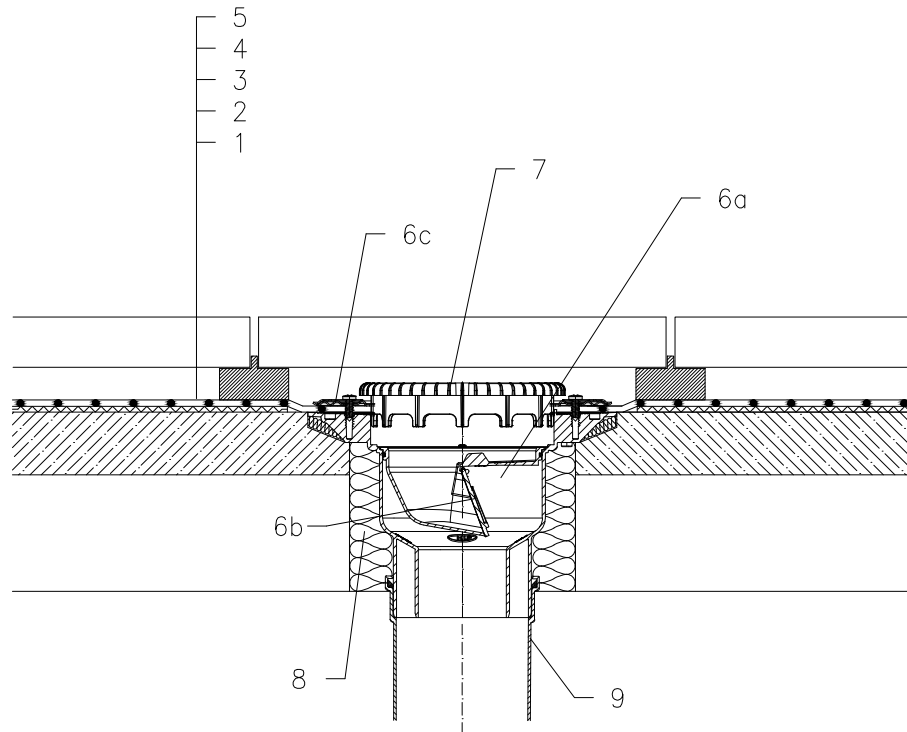


ROOFS WITHOUT THERMAL INSULATION – TERRACE, PAVERS ON STANDS, PLASTIC FOIL



- 1 SUPPORT CONSTRUCTION
- 2 CONCRETE GRAVITY LAYER
- 3 SEPARATING LAYER
- 4 PLASTIC FOIL WATERPROOFING
- 5 PAVERS ON STANDS
- 6a DRAIN BODY HL3100TK WITH FLANGE
- 6b FROST-PROOF FLAP HL05100.4E  
(NOT INCLUDED IN HL3100TK)
- 6c SEALING KIT HL8300.0 – WITHOUT SHEETING,  
(ALL-PURPOSE FOR UNRUFFED ROOF SHEETINGS)  
alternative HL8300.P – WHEN USING PVC SHEETINGS)
- 7 FLAT LEAF STRAINER HL151  
(NOT INCLUDED IN HL3100TK)
- 8 ASSEMBLY FOAM
- 9 DOWNPIPE

NOTICE:

TO HEAT THE DRAIN, YOU MAY USE HEATING KIT HKL156 WITH REGULATING HEAT SOURCE 40W/M; 230 V; (APR. 12-14W HEATING TAPE). (THE HEATING TAPE INCL. THERMAL INSULATION MUST BE PULLED ON THE DRAIN BODY BEFORE INSTALLATION)  
RECOMMENDED BOREHOLE DIAMETER IS  $\varnothing 220\text{mm}$ ,  $\square 220 \times 220\text{mm}$ .  
DURING INSTALLATION TAKE CARE, THAT THE FLANGE POSITION IS ON THE LOWEST LEVEL OF DRAINAGE. WE RECOMMEND, TO SITE IT APPR. 1cm BELOW THE SCREED.  
TO AVOID CONDENSATE WATER TAKE CARE OF THERMAL INSULATION ON THE CONSTRUCTION SITE.

112132Z