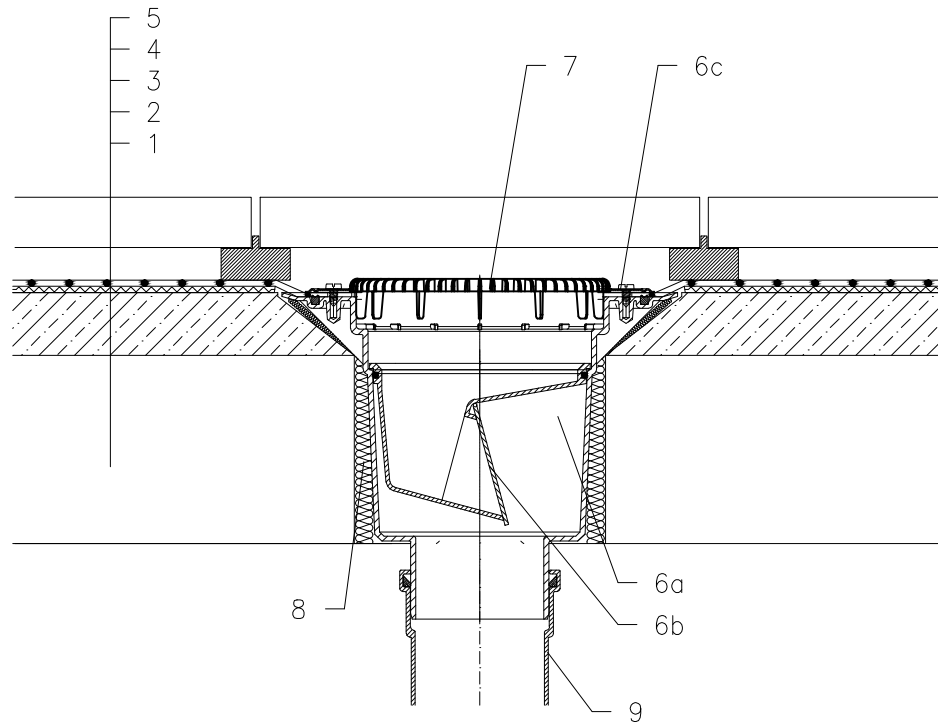


ROOFS WITHOUT THERMAL INSULATION – TERRACE, PAVERS ON STANDS, PLASTIC FOIL



- 1 SUPPORT CONSTRUCTION
- 2 CONCRETE GRAVITY LAYER
- 3 SEPARATING LAYER
- 4 PLASTIC FOIL WATERPROOFING
- 5 PAVERS ON STANDS
- 6a DRAIN BODY HL616K WITH FLANGE
- 6b FROST-PROOF FLAP HL0606.3E
- 6c SEALING KIT HL86.0 – WITHOUT SHEETING,
- 7 FLAT LEAF STRAINER HL191
LEAF STRAINER HL190
- 8 ASSEMBLY FOAM
- 9 DOWNPIPE

NOTICE:

TO HEAT THE DRAIN, YOU MAY USE HEATING KIT HL609 WITH SELF-REGULATING HEAT SOURCE 36W/230V. (THE HEATING TAPE MUST BE WRAPPED AROUND THE DRAIN BODY BEFORE INSTALLATION).

RECOMMENDED BOREHOLE DIAMETER IS $\varnothing 290\text{mm}$, OR: $\varnothing 290 \times 290\text{mm}$
 DURING INSTALLATION TAKE CARE, THAT THE FLANGE POSITION IS ON THE LOWEST LEVEL OF DRAINAGE. WE RECOMMEND, TO SITE IT APPR. 1cm BELOW THE SCREED.
 TO AVOID CONDENSATE WATER TAKE CARE OF THERMAL INSULATION ON THE CONSTRUCTION SITE.

112132Y