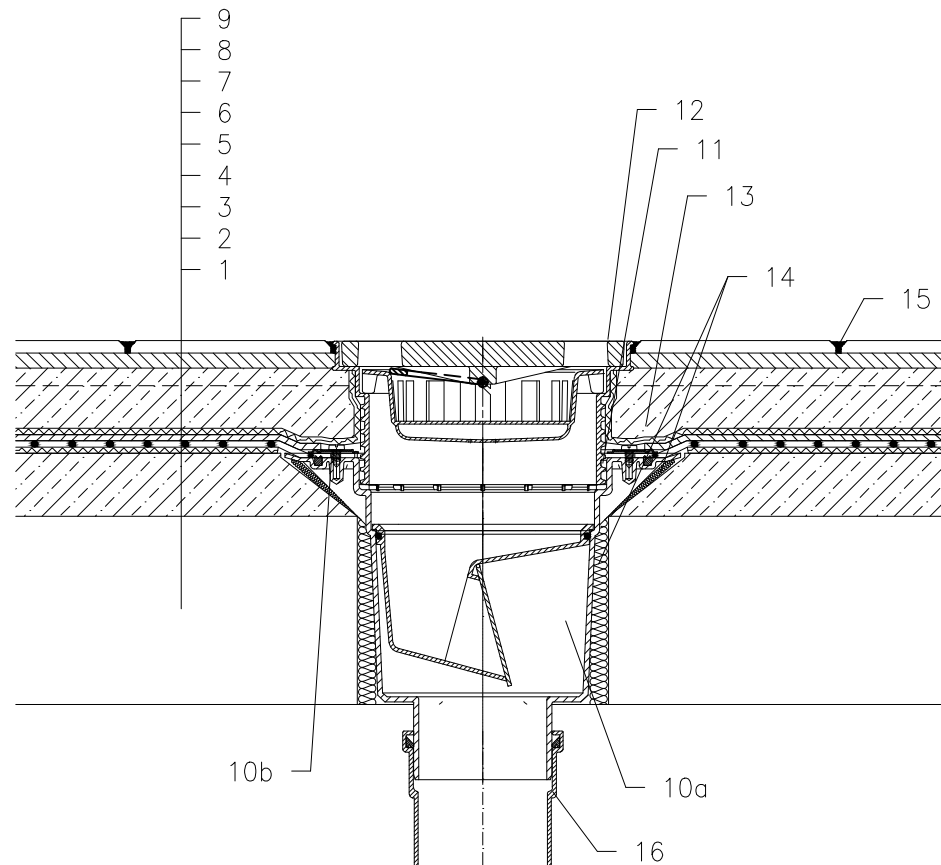


## ROOFS WITHOUT THERMAL INSULATION – TERRACE, PAVEMENT IN CONCRETE, PLASTIC FOIL



- 1 SUPPORT CONSTRUCTION
- 2 CONCRETE GRAVITY LAYER
- 3 SEPARATING AND DILATATION LAYER
- 4 PLASTIC FOIL WATERPROOFING
- 5 DRAINAGE LAYER
- 6 FILTER LAYER
- 7 CONCRETE SLAB
- 8 MORTAR BED OR GLUE
- 9 PAVEMENT
- 10a TERRACE DRAIN HL616 WITH FROST-PROOF FLAP AND FLANGE  
LOAD CLASSIFICATION L15 (MAX 1500 kg)
- 10b SEALING KIT HL86.0 – WITHOUT SHEETING,
- 11 NO TIGHT CONNECTION BECAUSE OF DISCHARGE OF LEAKAGE WATER
- 12 EXTENSION WITH CAST IRON GRATE 226x226 mm AND PLASTIC FRAME 240x240 mm (INCLUDED IN HL616)  
alternative HL616S – WITH STAINLESS STEEL GRATE  
alternative HL616L – WITH PLASTIC GRATE
- 13 PRE-CUT PART FOR SEALING COLLAR, SEE TOPIC "ATTACHEMENTS"
- 14 ASSEMBLY FOAM
- 15 JOINT FILLER
- 16 DOWNPIPE

### NOTICE:

TO HEAT THE DRAIN, YOU MAY USE HEATING KIT HL609 WITH SELF-REGULATING HEAT SOURCE 36W/230V. (THE HEATING TAPE MUST BE WRAPPED AROUND THE DRAIN BODY BEFORE INSTALLATION).  
RECOMMENDED BOREHOLE DIAMETER IS  $\varnothing 290\text{mm}$ , OR:  $\square 290 \times 290\text{mm}$   
DURING INSTALLATION TAKE CARE, THAT THE FLANGE POSITION IS ON THE LOWEST LEVEL OF DRAINAGE. WE RECOMMEND, TO SITE IT APPR. 1cm BELOW THE SCREED.  
TO AVOID CONDENSATE WATER TAKE CARE OF THERMAL INSULATION ON THE CONSTRUCTION SITE.

112112Y