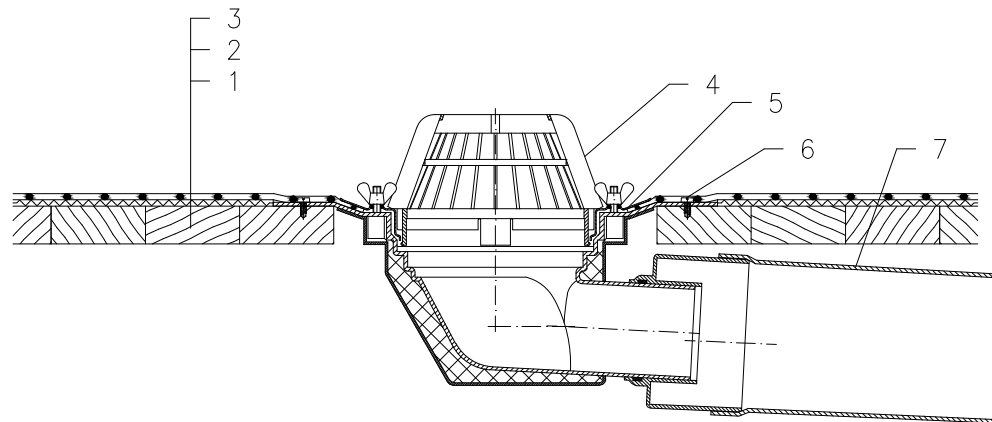


NON-INSULATED – ANCHORED SYSTEM, PLASTIC FOIL WATERPROOFING
UNDERLAYER BOARDING



- 1 SUPPORT CONSTRUCTION – BOARDING
- 2 DILATATION AND SEPARATING LAYER
- 3 PLASTIC FOIL WATERPROOFING MECHANICALLY ANCHORED
- 4 FLAT-ROOF DRAIN HL64 WITH INSULATED DRAIN BODY, FLANGE AND STAINLESS STEEL CLAMPING RING
DOMED PLASTIC GRATE $\phi 180$ mm, (FOR PVC SHEETINGS FLAT-ROOF DRAIN HL64P; FOR FPO SHEETINGS BASED ON PP FLAT-ROOF DRAIN HL64F)
- 5 SEALING PACKING, (SEE ACCESSORIES)
- 6 ANCHOR BOLT
- 7 DOWNPIPE

NOTE:

FLAT-ROOF DRAIN HL64.1, (FOR PVC SHEETINGS FLAT-ROOF DRAIN HL64.1P; FOR FPO SHEETINGS BASED ON PP FLAT-ROOF DRAIN HL64.1F) HEATED (230V, 10-30 WATTS) CAN BE USED.
ASSEMBLY INLET: 260X380 MM

111221