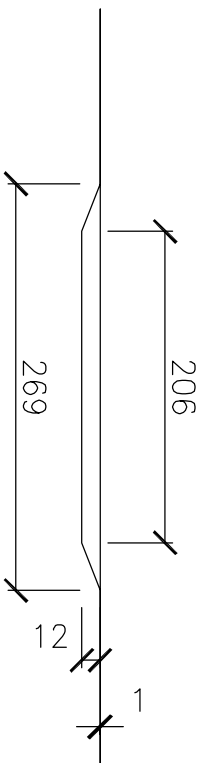
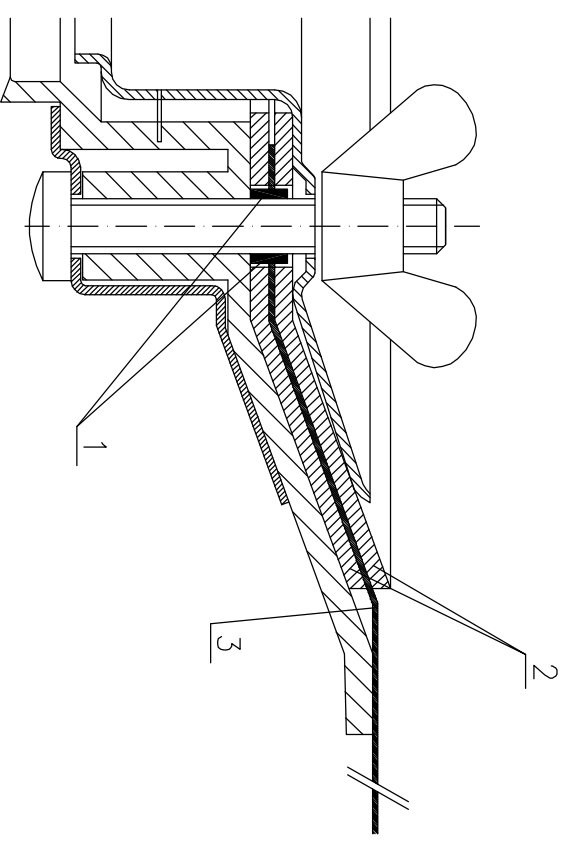
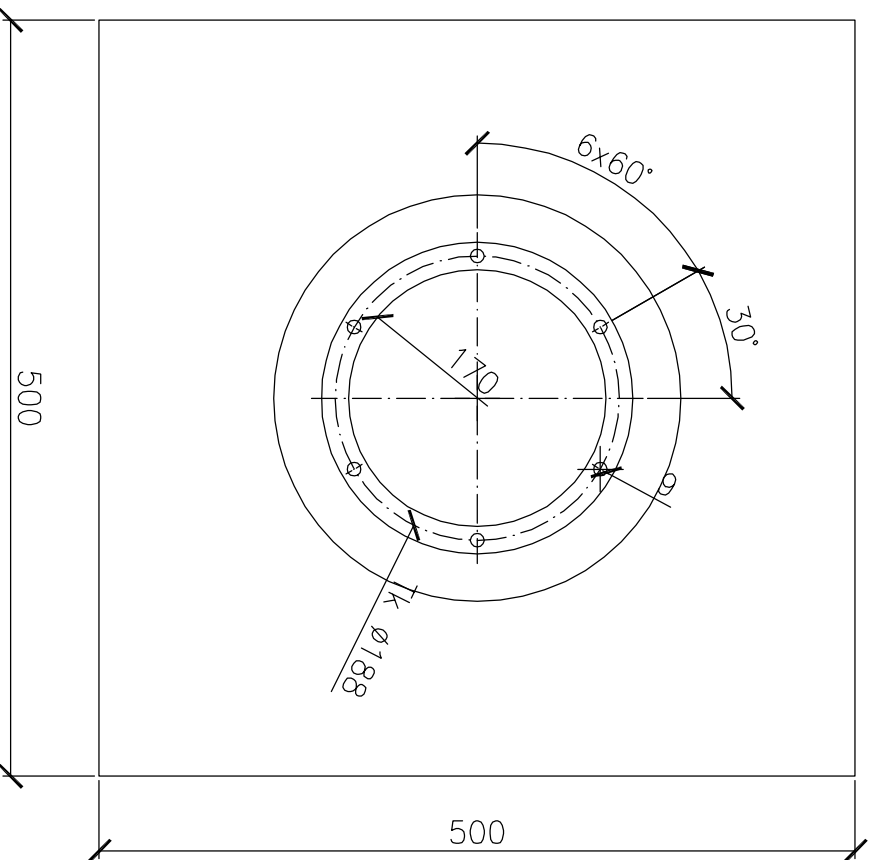


SEALING PACKING TEMPLATE FOR METAL SHEET ROOFING SYSTEMS (TiZn, Cu, Lindab,...)



JOINT DETAIL



- 1 PLASTIC SEALING FOR GALVANIZED METAL SHEETS
- 2 FLANGE GASKET ON METAL SHEET SEALING PACKING 084.7E (2x)
- 3 METAL SHEET

HL SUPPLIES METAL SHEET SEALING PACKING 0.6 mm THICK FOR COPPER (HL84.CU) AND GALVANIZED METAL SHEET ROOFING (HL84.E).

SEALING PACKING FOR OTHER MATERIALS CAN BE MANUFACTURED ACCORDING TO THIS DRAWING.